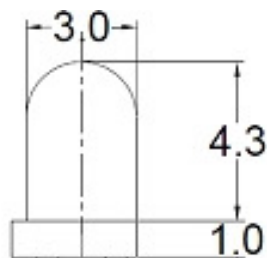
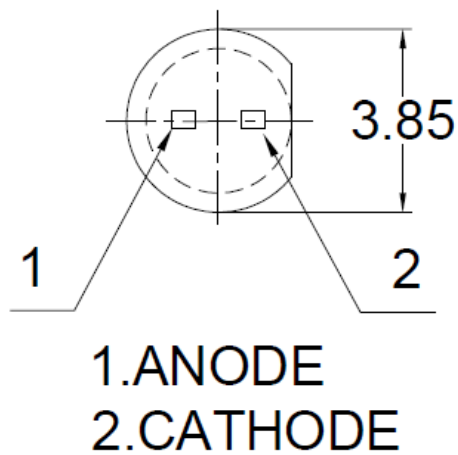


LD00AxxACC
MINIATURE LED LAMPS WHITE OR BLUE 3V WITH WIRED LEAD



Package Dimensions



Consider also the length of cable: 110 mm

Note:

1. All Dimensions are in millimeters
2. Tolerance is $\pm 0.25\text{mm}$ (0.010)

Unless otherwise specified

Absolute Maximum Ratings at Ta=25°C

Parameter	Symbol	Max	Unit
Power Dissipation	P_D	100	mW
Peak Forward Current 1/10 Duty Cycle, 0.1ms Pulse	I_{FP}	80	mA
Continuous Forward Current	I_F	30	mA
Derating Linear From 50°C	V_R	0.4	mA/°C
Reverse Voltage	V_R	5	V
Operating Temperature Range	T_{opr}	-40°C to +80°C	
Storage Temperature Range	T_{stg}	-25°C to +100°C	
Lead Soldering Temperature 【4mm From Body】	T_{sol}	260°C For 5 Seconds	

Electrical Optical Characteristics at Ta=25°C

Parameter	Symbol	Min	Typ	Max	Unit	Condition
Forward Voltage	VF	2.9	---	3.5	V	If=20mA
Luminous Intensity	IV	4000	---	9000	mcd	If=20mA
Dominant Wavelength	λ_d				nm	If=20mA
Spectral Line Half-Width	$\Delta\lambda$	---	---	---	nm	If=20 mA
Chromaticity Coordinate	X	0.22	0.31	0.33	/	If=20 mA
	Y	0.23	0.30	0.34	/	
Reverse Current	IR	---	---	10	μ A	VR=5V
Viewing Angle	2 θ 1/2	---	30	---	deg	If=20mA

LED LAMP ELECTRONIC/OPTICAL CHARACTERISTICS CURVE

