

### FEATURES

- Possibility of controlling up to 64 DALI ballasts and up to 32 lighting groups only for logarithmic curve.
- Scene sending and saving.
- Error detection and monitoring.
- Burn-in, Stand-by and Auto-off functions.
- Manual control through buttons and status indication through display.
- 1.54" display (128 x 64 pixels) used for setting and notifications.
- External power supply of 110/230V 50/60Hz.
- Total data saving on KNX bus failure.
- Integrated KNX BCU.
- Size 67 x 90 x 79mm (4.5 DIN units).
- DIN rail assembly (EN 50022), through pressure.
- DALI Standard compatible
- Conformity with the CE directives (CE-mark on the right side).

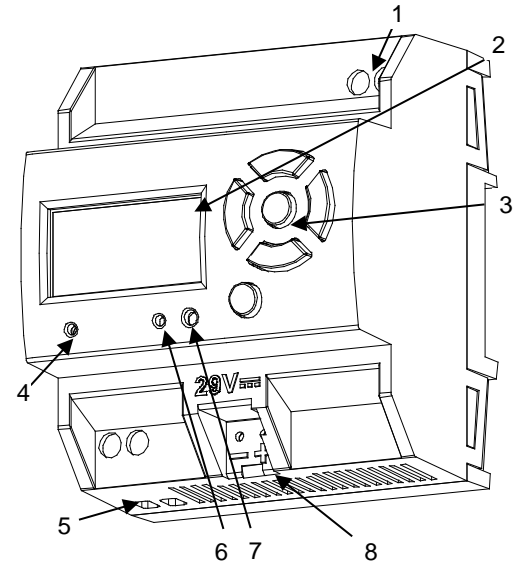


Figure 1. DALIBOX Interface 64/32

1. DALI bus output	2. Display	3. Control buttons	4. Power supply indicator LED
5. External power supply	6. Programming indicator LED	7. Programming button	8. KNX connector

**Programming button:** short button press to set programming mode. If this button is held while plugging the device to the KNX bus, it enters into safe mode.

**Programming LED:** programming mode indicator (red). When the device enters into safe mode, it blinks (red) every half second. The manual mode is indicated by the green color. During the start-up (reset or after KNX bus failure) and if the device is not in safe mode, it emits a red flash.

### GENERAL SPECIFICATIONS

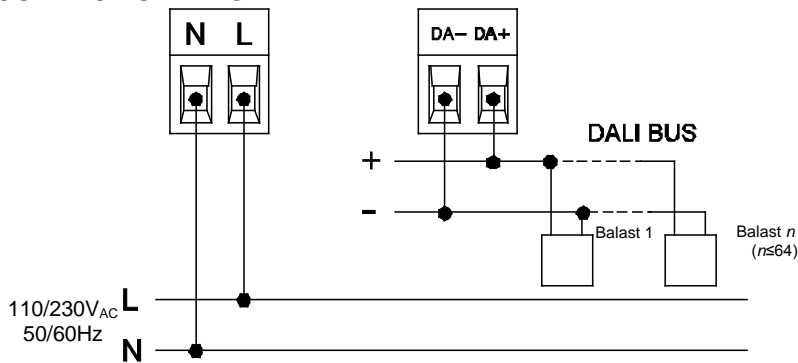
CONCEPT		DESCRIPTION		
Type of device		Electric operation control device		
KNX supply	Voltage (typical)	29VDC SELV		
	Voltage range	21...31VDC		
	Maximum consumption	Voltage	mA	mW
		29VDC (typical)	12.5	362.5
24VDC <sup>(1)</sup>	15	360		
Type of connection		Typical TP1 bus connector, 0.80mm ø		
Ext. power supply	Voltage and frequency	110/230VAC 50/60Hz		
	Maximum consumption	100mA		
Operation temperature		from 0°C to +45°C		
Storage temperature		from -20°C to +55°C		
Operation humidity		5 to 90% RH (no condensation)		
Storage humidity		5 to 90% RH (no condensation)		
Complementary characteristics		Class B		
Protection class		II		
Operation type		Continuous operation		
Device action type		Type 1		
Electrical stress period		Long		
Degree of protection		IP20, clean environment		
Installation		Independent device to be mounted inside electrical panels with DIN rail (EN 50022).		
Minimum clearances		Not required		
Response on KNX bus failure		Data saving according to parameterization		
Response on KNX bus restart		Data recovery according to parameterization		
Operation indication		The programming LED indicates programming mode (red). The power supply LED indicates external power (green). Display allows both configuring the DALI system and supervising the current status.		
Weight		180g		
PCB CTI index		175V		
Housing material		PC FR V0 halogen free		

<sup>(1)</sup> Maximum consumption in the worst case scenario (KNX Fan-In model)

DALI OUTPUT SPECIFICATIONS AND CONNECTIONS	
CONCEPT	DESCRIPTION
Number of outputs	1
Output type	DALI bus
Output voltage	17VDC SELV
Maximum current per output	128mA
Maximum number of ballasts per output	64
Maximum number of groups per output	32
Maximum length of cable	300m (considering 1.5mm <sup>2</sup> )
Short-circuit protection	YES
Overload protection	YES
Overvoltage protection	YES
Connection method	Screw terminal block
Cable cross-section	0.5 to 4 mm <sup>2</sup> (26-10 AWG)

EXTERNAL POWER SUPPLY SPECIFICATIONS AND CONNECTIONS		
CONCEPT	DESCRIPTION	
Fuse protection of supply to DALI power source	Voltage	250VAC
	Current	4A
	Response type	F (Fast acting)
Connection method	Screw terminal block	
Cable cross-section	0,5 to 4mm <sup>2</sup> (26-10AWG)	

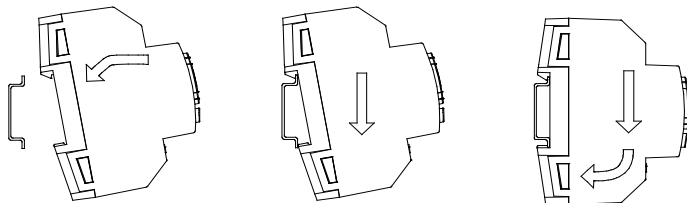
### CONNECTION DIAGRAM



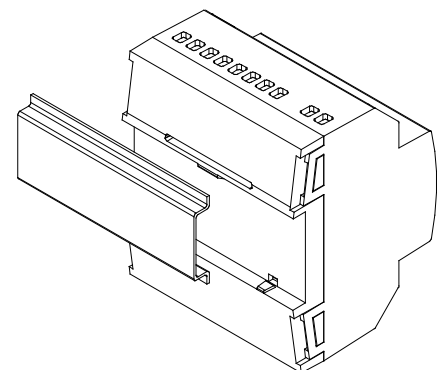
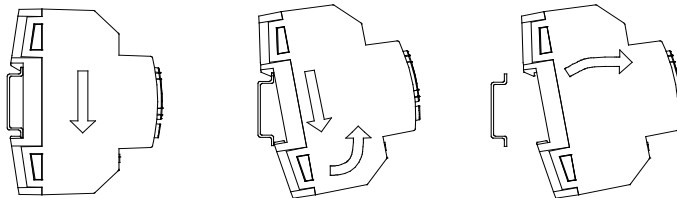
### Note:

• In case of ballast replacement, please, pay attention to the defined steps on the manual.

### Attaching DALIBOX Interface 64/32 to DIN rail:



### Removing DALIBOX Interface 64/32 from DIN rail:



**Figure 2.** Mounting DALIBOX Interface 64/32 on a DIN rail

### SAFETY INSTRUCTIONS



- Installation should only be performed by qualified professionals according to the laws and regulations applicable in each country.
- Do not connect the mains voltage nor any other external voltage to any point of the KNX bus; it would represent a risk for the entire KNX system. The facility must have enough insulation between the mains (or auxiliary) voltage and the KNX bus or the wires of other accessories, in case of being installed.
- The facility must be equipped with a device that ensures the omnipolar sectioning. Installation of a 10A mini-circuit-breaker is recommended. To prevent accidents, it must remain open in case of manipulation of the device.
- The device has a short-circuit protection fuse that, in case of activation, should only be rearmed or replaced by Zennio technical service.



- This device contains a security short-circuit proof transformer.
- Once the device is installed (in the panel or box), it must not be accessible from outside.



- Keep the device away from water and do not cover it with clothes, paper or any other material while in use.
- The WEEE logo means that this device contains electronic parts and it must be properly disposed of by following the instructions at <http://zennio.com/weee-regulation>.