



ZAMEL Sp. z o.o.

# zameL

ul. Zielona 27, 43-200 Pszczyna, Poland  
 Tel. +48 (32) 210 46 65, Fax +48 (32) 210 80 04  
[www.zamelcet.com](http://www.zamelcet.com), e-mail: [marketing@zamel.pl](mailto:marketing@zamel.pl)

### DESCRIPTION

The staircase lighting time delay switch ASH-01/U is used to control lighting devices on staircases and corridors. After releasing the system it switches on the lighting for the preset time by the user. After that it switches off automatically. The operating time can be adjusted from 10 sec to 10 min by means of a potentiometer. The staircase lighting time delay switch ASH-01/U can be used as standard time delay relay. The hermetic casing (IP65) secures the device functioning in unfavorable weather conditions.

### FEATURES

- Operating time adjustment from 10 seconds to 10 minutes
- universal supply voltage 12÷240 V AC/DC
- cooperation with 3- or 4-wires installation
- cable connection 0,5m length
- relay output - 1 voltage contact contact max 16 A capacity,
- hermetic casing (IP65).



The device is designed for one-phase installation and must be installed in accordance with standards valid in a particular country. The device should be connected according to the details included in this operating manual. Installation, connection and control should be carried out by a qualified electrician staff, who act in accordance with the service manual and the device functions. Disassembling of the device is equal with a loss of guarantee and can cause electric shock. Before installation make sure the connection cables are not under voltage. The cruciform head screwdriver 3,5 mm should be used to instal the device. Improper transport, storage, and use of the device influence its wrong functioning. It is not advisable to instal the device in the following cases: if any device part is missing or the device is damaged or deformed. In case of improper functioning of the device contact the producer.

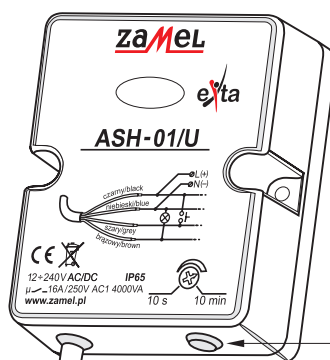


The symbol stands for selective collection of electrical and electronic devices. Placing used devices with other waste is not allowed

### TECHNICAL PARAMETERS

ASH-01/U	
Power supply cables:	A1 (black), A2 (blue)
Input rated voltage:	12 ÷ 240 V AC/DC
Input voltage tolerance:	from -5 to +10%
Nominal frequency:	50 / 60 Hz
Rated power consumption:	0,9 VA
Znamionowy pobór prądu:	8 mA
Release / output (load) cables:	grey / brown (connected inside)
Time adjustment range:	from 10 sec to 10 min
Time accuracy adjustment:	±10 %
Time repeatability adjustment:	±5 %
Time adjustment:	smooth (rotary potentiometer)
Output relay parameters:	16 A / 250 V AC1 4000 VA
Number of switch cables:	4
Section of connecting cables:	4x 0,75 mm <sup>2</sup>
Connecting cable length:	0,5 m
Ambient temperature range:	from -20 to +45 °C
Operating position:	vertical, pointed down
Mounting:	2x stretcher 5x(3x30)
Protection degree:	IP65 (EN 60529)
Protective class:	II
Overvoltage category:	II
Pollution degree:	2
Rated impulse withstand voltage:	1 kV (EN 61000-4-5)
Dimensions:	69 x 56 x 27 mm
Weight:	0,101 kg
Reference standards:	EN 60669-1 EN 60669-2-1 EN 61000-4-2,3,4,5,6,11

### APPEARANCE



- Time adjustment
- black ← Power supply cable (A1)
- blue ← Power supply cable (A2)
- grey ← Release / output (load) cables
- brown ← Release / output (load) cables



## MOUNTING

1. Disconnect the power supply from the mains by the phase fuse, the circuit-breaker or the switch-disconnector that are joined to the proper circuit.
2. Check if there is no voltage on connection cables by means of a special measure equipment.
3. Fasten the ASH-01/U to the base with the screw.

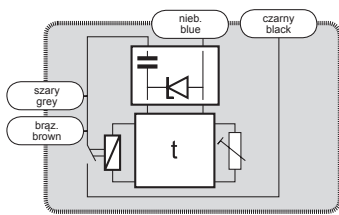
**NOTICE! It is forbidden to bore fitting holes in the cover! It may result in the loss of containment of the cover and by this – the loss of guarantee!**

4. Connect the cables ASH-01/U with the hermetic installation junction box according to installing diagram.
5. Switch on the power supply from the mains.
6. Take out the rubber hole plug covering the adjustment of the switch on threshold potentiometer.
7. Adjust the demanded switch on time by means of a potentiometer.
8. Put back the rubber hole plug covering the potentiometer.

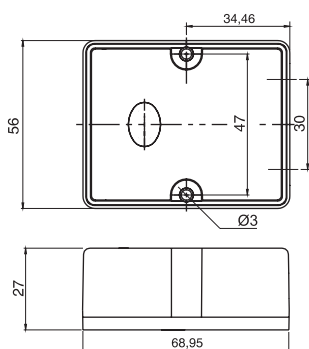
## FUNCTIONING

After proper mounting and installation the device is ready to work. Releasing the system with the monostable pushbutton causes the lighting to switch on for the preset time. After the preset time is over the lighting is automatically switched off till its another release. The staircase lighting time delay switch cooperates with 3-wire or 4-wire system. While mounting the device pay attention the release and load systems are properly connected, otherwise the device can be irreparably damaged. Because of no anti-blocking system the light is constantly switched on in cases the pushbutton is blocked.

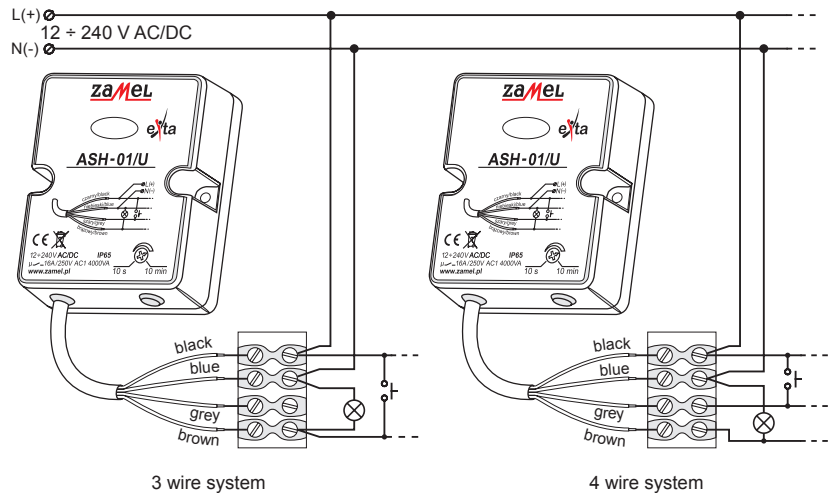
## INNER DIAGRAM



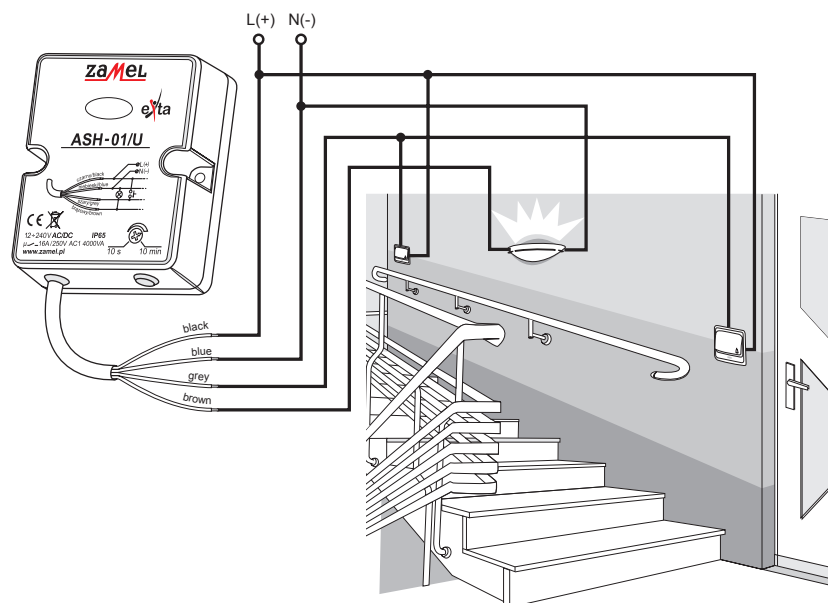
## DIMENSIONS



## CONNECTING



## EXAMPLE OF INSTALLATION



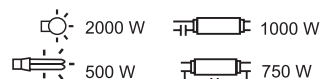
### Typical application:

The staircase lighting time delay switch ASH-01/U operating the staircase lighting works in 3-wire installation. Push-buttons (equipped with illumination) can be connected parallelly.

## TIME COURSE



## RELAY CAPACITY



## PRODUCT FAMILY

ASH-01/U belongs to staircase time delay switches ASx family.

ASx-xx (/x)	Voltage version: 24V - 24 V AC/DC U - 12-240 V AC/DC
	Device version: 01 - basic, three or four - wire systems 02 - anti blocking function 03 - anti blocking function and ON/AUTO/OFF functions 10 - anti blocking function, fluent brightening and dimming
	Casing type: M - modular version (TH 35 DIN rail) N - surface mounting H - surface and hermetic casing P - surface junction box f60 version
	Device symbol