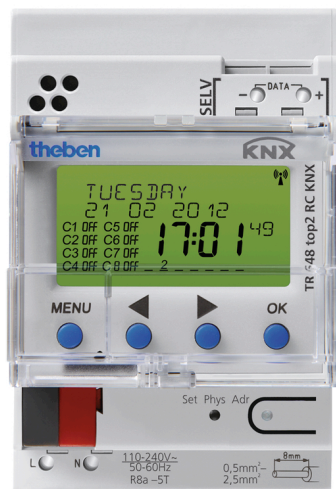


Description



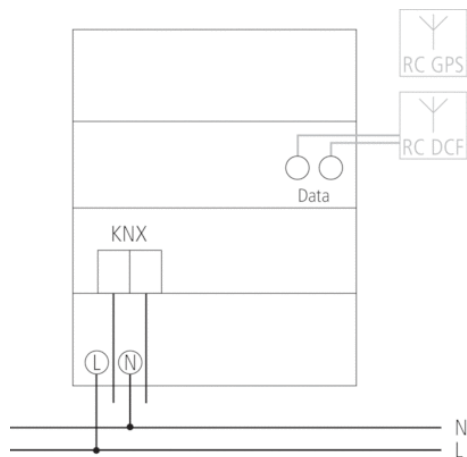
- Digital time switch with yearly and astronomical time program
- Time synchronisation via connection of external DCF or GPS antennas, additional positioning for astronomical program with GPS
- 8 channels
- DuoFix spring terminals for 2 conductors each
- Text-oriented user guidance in display
- 800 memory locations
- Interface for OBELISK top2 memory card (PC programming)
- 8 year power reserve (lithium battery)
- ON-OFF switching times
- Pulse program
- Cycle program
- Extensive yearly clock functions
- Astronomical switching function (automatic calculation of sunrise and sunset times for the whole year)
- Switching preselection
- Permanent switching ON/OFF
- Count-down timer
- Integrated hour counter
- Holiday program
- 2 random programs
- Display backlight (can be turned off)
- PIN coding
- Automatic summer/winter time changeover
- Time and date synchronisation of other bus participants

Technical data

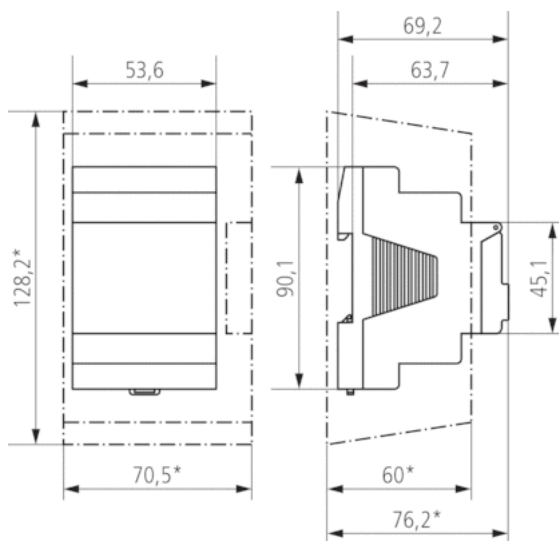
Operating voltage KNX	Bus voltage, ≤12 mA
Operating voltage	110 – 240 V AC
Frequency	50 – 60 Hz
Stand-by consumption	0,2 W
Width	3 modules
Installation type	DIN rail
Number of channels	8
Number of memory locations	800
Time accuracy at 25 °C	≤ ± 0,5 s/day (quartz) or DCF77/GPS
Shortest switching times	1 s
Display	LCD
Ambient temperature	-5 °C ... +45 °C
Type of protection	IP 20
Protection class	II according to EN 60 730-1

Article number: 6489212

Connection example



Scale drawings



Accessories

Antenna top2 RC-GPS

- Article number: 9070610
Details ▶ www.theben.de



Antenna top2 RC-DCF

- Article number: 9070410
Details ▶ www.theben.de



PC set OBELISK top2/3

- Article number: 9070409
Details ▶ www.theben.de



Memory card OBELISK top2

- Article number: 9070404
Details ▶ www.theben.de

