

## Description

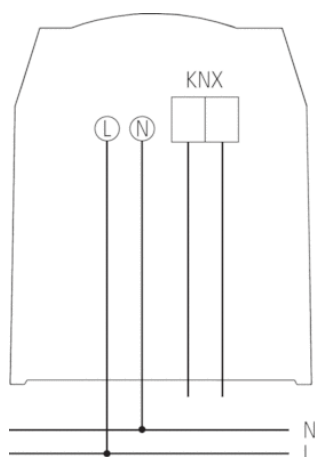


- Self contained outdoor weather station
- Integrated GPS receiver
- Automatic calculation of elevation and azimuth
- The weather station can also be operated without mains supply. The GPS module will not function then
- For measuring wind, rain, brightness and temperature
- For fully automatic blinds and sun protection control with automatic adjustment of blinds according to position of the sun
- Rain sensor with integrated heating
- The weather station can also be operated without mains supply. The heating of the rain sensor will not function then
- Measurement and evaluation directly on device
- Sun protection for up to 8 facades via 3 integrated brightness sensors
- 4 additional threshold channels for connection of external KNX sensors
- 6 logic channels
- Display of weather data e.g. with VARIA 826 KNX multi-function display

## Technical data

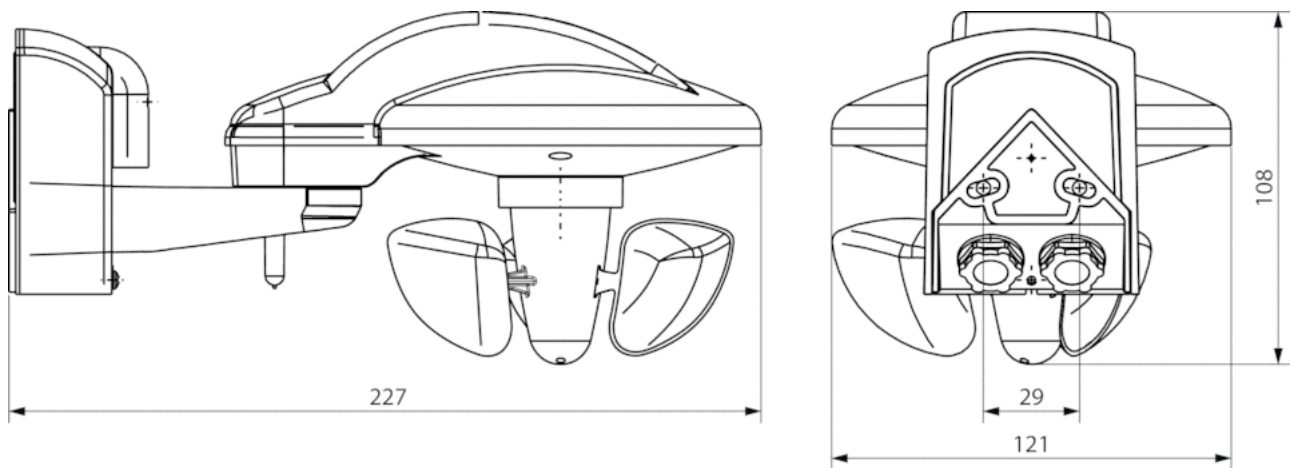
Operating voltage	110 – 230 V AC
Frequency	50 – 60 Hz
Operating voltage KNX	Bus voltage, ≤10 mA
Stand-by consumption	<0,5 W
Installation type	Wall installation
Measuring range brightness	1 – 100000 lx
Measuring range temperature	-30 °C ... +60 °C
Measuring range wind speed	2 – 30 m/s
Ambient temperature	-20 °C ... +55 °C
Type of protection	IP 44
Protection class	II

## Connection example



Article number: 1409208

## Scale drawings



## Accessories

### Mast mounting WML1

- Article number: 9070925  
Details ▶ [www.theben.de](http://www.theben.de)



### Mast mounting S

- Article number: 9070928  
Details ▶ [www.theben.de](http://www.theben.de)

