

## Description

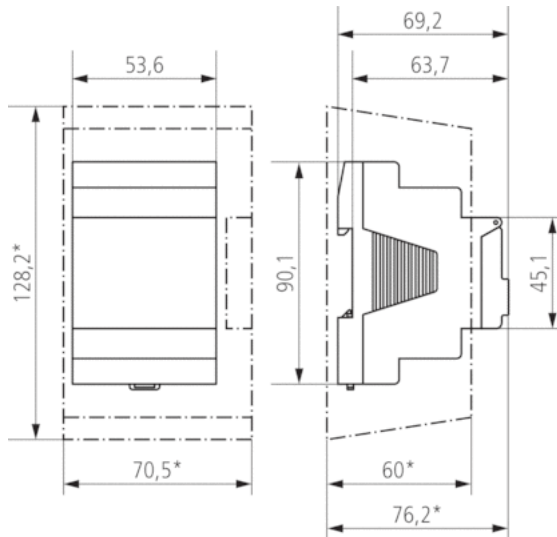


- Light level controller
- External light sensor included in delivery
- For brightness-dependent controlling
- 10 channels
- 4 threshold values channels for connecting external KNX-sensors (e.g. temperature)
- 6 logic channels
- Up to 3 lights sensors can be connected
- Manual operation on device
- 4 keys for setting threshold and switch on/off delay
- DuoFix spring terminals
  - For 2 conductors each
  - Wire or strand (with or without wire end sleeve)
  - Wire diameter: 0.5 - 2.5 mm<sup>2</sup>
  - Button for releasing plug-in connection
- Display back light (can be turned off)
- Thresholds can be shown or changed on display
- PIN coding

## Technical data

Operating voltage	110 – 240 V AC
Frequency	50 – 60 Hz
Operating voltage KNX	Bus voltage, ≤10 mA
Stand-by consumption	~0,8 W
Measuring range brightness	1 – 100000 lx
On/off switching delay	0 – 20 min
Number of channels	10
Width	3 modules
Installation type	DIN rail
Type of connection	Bus connection: KNX bus terminal   Sensor connection: DuoFix spring terminals
Max. cable cross section	2 x 0.75 mm <sup>2</sup>
Max. cable length to sensor	100 m
Ambient temperature	-5 °C ... +45 °C
Ambient temperature sensor	-40 °C ... +70 °C
Protection class	II
Type of protection	IP 20

## Scale drawings



## Accessories

### Digital surface-mounted light sensor

- Article number: 9070415  
Details ▶ [www.theben.de](http://www.theben.de)



### Digital flush-mounted light sensor

- Article number: 9070456  
Details ▶ [www.theben.de](http://www.theben.de)

