

**theben** 310456

**MIX2 series blinds actuator** **KNX**

JMG 4 T KNX (basic module) 4930250

JME 4 T KNX (extension module) 4930255

## 1. Proper use

The 4-fold blinds actuators of the MIX2 series switch electrical-driven blinds, roller blinds, awnings or similar hangings as well as ventilation flaps for 230 V AC power supplies.

The MIX2 series is a series of devices, consisting of base modules and extension modules. Up to 2 MIX or MIX2 extension modules can be connected to a base module of this series.

The ETS (engineering tool) enables application programs to be selected, specific parameters and addresses to be assigned and transferred to the device.

The device is designed for installation on DIN mounting rails (in accordance with EN 60715) and conforms with EN 60669-2-1. Only to be used in closed, dry rooms.

## 2. Safety information



### WARNING

**Danger of death through electric shock or fire!**

➤ Installation should only be performed by an electrician!

Please note the provisions of EN 50428 for switches or similar installation material for use in building systems technology with regard to the correct installation of bus lines and device start-up procedure.

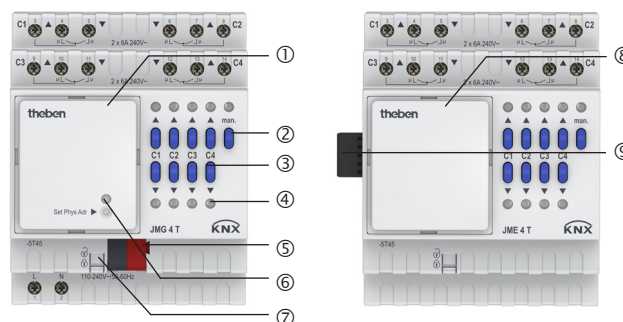
Tampering with, or making modifications to, the device will invalidate the guarantee.

- If several motors will be switched in parallel on one output, note manufacturer's information and use cut-off relay if necessary. Motors may be destroyed.
- Only use blinds motors with mechanical or electronic end position switches. Check the end position switch is correctly adjusted. Device may be damaged.
- Do not connect AC motors.
- During installation, ensure there is adequate insulation between power supply and bus!

## 3. Description

**JMG 4 T KNX**  
(basic module)

**JME 4 T KNX**  
(extension module, extendable to up to 12 channels)



- ① Bus module KNX
- ② Manual push button **man**.
- ③ Channel button **C1–C4**
- ④ Status LEDs
- ⑤ Bus connection: note polarity!
- ⑥ Programming button and LED for physical addresses
- ⑦ Slider for locking the KNX ① bus module or the cover ⑧
- ⑧ Cover
- ⑨ Movable connector between extension module and base module

## Manual operation with hangings

Manual operation allows the outputs to be controlled directly by the push buttons.

**Move hanging up and down manually, stop and adjust step-by-step with the channel push buttons C1–C4**

### 1. Roller blinds

- Press channel button x 1: Roller blinds move up/down (the associated LED lights up)
- Press channel button again: the roller blinds stop

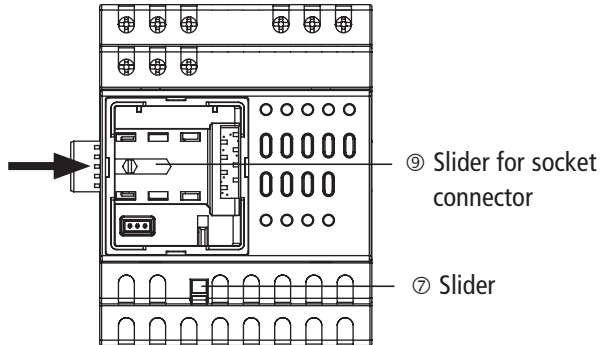
### 2. Blinds

- Press channel button x 1: Blinds move 1 slat turn
- Press and hold channel button x 1: Blinds move up/down (the associated LED lights up)
- Press channel button x 1 during the movement: the blinds stop

## 4. Installation

### Basic module/extension module

- Click base module on to the distributor rail.
- Release slider ⑦ and remove cover ⑧ on the extension module.
- Click extension module on to the distributor rails.
- Connect and **fix** both modules together.

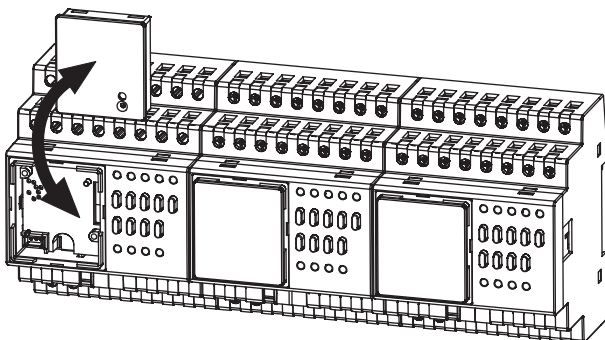
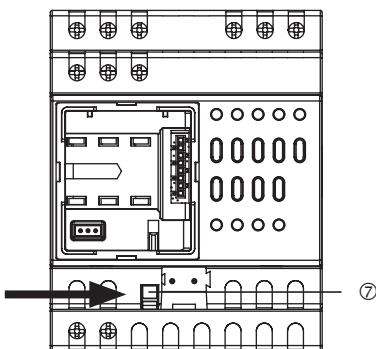


- Slide slider ⑧ to the left.
- Put cover back on.
- Lock cover with slider ⑦ again.

### KNX bus module

Basic module and KNX module can be separated mechanically. The blinds actuators can be started and operated manually without the KNX ① bus module.

- Unlock KNX ① bus module on the base module with slider ⑦ and remove or put on again and lock.



## Manual operation

(must be enabled via the ETS)

- Press button **man.** ② (LED lights up; the manual function is on). The drives do not move over the bus.
- Press channel ③ buttons.

### Terminate manual operation

- Press push button **man.** ②.

### Support mode for starting electronic motors

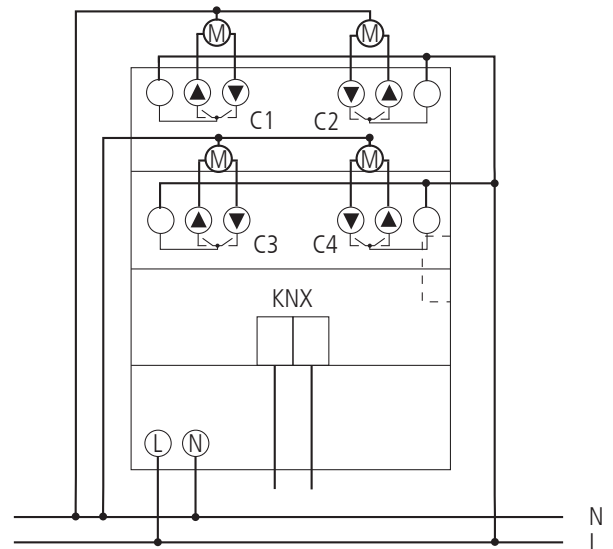
- Activate support mode only with connection for electronic motors (the parameter in the ETS of a channel must be set to "electronic motor").
- Press button **man.** ②.
- Press and hold both channel buttons simultaneously.
- For this push button **man.** for 3 s (LED **man.** flashes). The support mode is active.

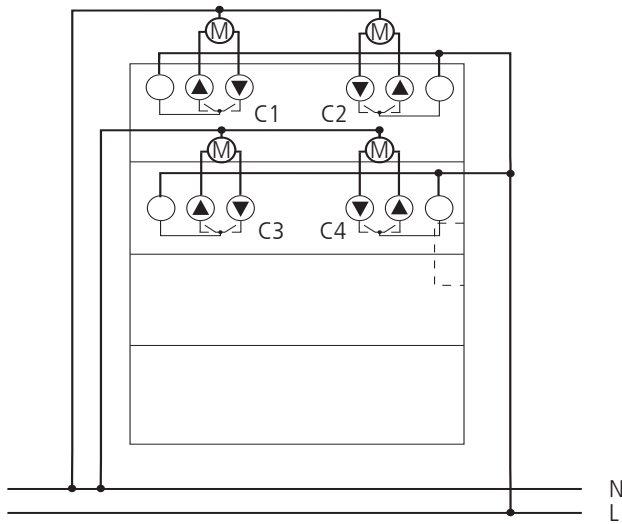
### Terminate support mode

- Press push button **man.**

## 5. Electrical connection

### JMG 4 T KNX





## 6. Technical data

### JMG 4 T KNX / JME 4 T KNX

- Operating voltage: 110–240 V AC +10 % –15 %
- Frequency: 50–60 Hz
- Standby: 0.3 W (JMG 4 T KNX)
- Switching capacity: 6 A/240 V AC at  $\cos \varphi = 1$
- Type of contact:  $\mu$ -contact, NO contact; the switching of any external conductors is permitted
- Permissible ambient temperature: –5 °C to +45 °C
- Protection class: II when properly installed
- Protection rating: IP 20 in accordance with EN 60529
- Operating voltage: Bus voltage KNX  
Power input KNX bus:  $\leq 9$  mA (JMG 4 T KNX)
- Pollution level: 2
- Rated impulse voltage: 4 kV

The ETS database can be found at [www.theben.de](http://www.theben.de).

Please refer to the KNX manual for detailed functional descriptions.

#### Service address

**Theben AG**  
Hohenbergstr. 32  
72401 Haigerloch  
GERMANY  
Phone +49 7474 692-0  
Fax +49 7474 692-150

#### Hotline

Phone +49 74 74 692-369  
Fax +49 74 74 692-207  
hotline@theben.de

**Addresses, telephone numbers etc.**  
[www.theben.de](http://www.theben.de)