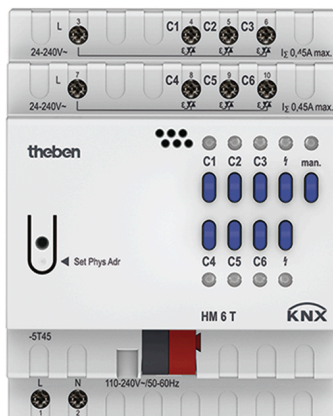


Description



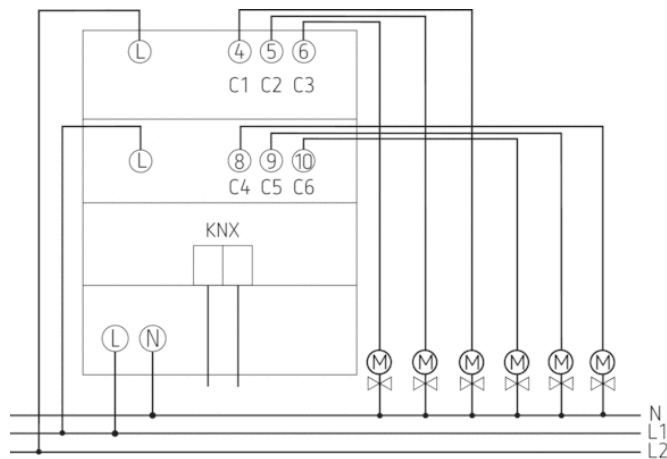
- 6-way heating actuator FIX1
- With 6 temperature controllers (P/PI) for heating and cooling
- For controlling 6 thermal actuators 24 V - 240 V AC in 2 groups with 3 outputs and 450 mA each
- (Due to the switch-on behaviour of the actuators, we recommend not to exceed a maximum load of 3x1 actuators 24 V AC or 3x5 actuators 230 V AC)
- Short-circuit-proof and overcharge protected
- Continuous or switching actuating value selectable
- Valve protection function can be deactivated
- With the modes: comfort, standby, night as well as frost/heating protection
- Changeover to summer mode possible
- LED switching status display for each channel
- Manual operation on device (even without bus connection)

Technical data

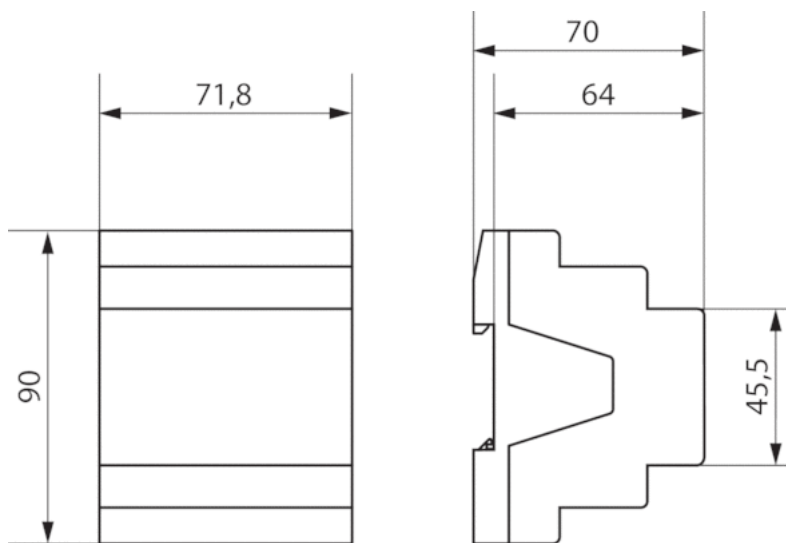
Operating voltage KNX	Bus voltage, ≤4 mA
Operating voltage	110 – 240 V AC
Frequency	50 – 60 Hz
Stand-by consumption	~0,5 W
Width	4 modules
Installation type	DIN rail
Number of channels	6
Type of connection	Terminal screws Bus connection: KNX bus terminal
Max. cable cross section	Solid wire: 0.5 mm ² (Ø 0.8) to 4 mm ² Stranded wire with end sleeve: 0.5 mm ² to 2.5 mm ²
Switching output	Not potential-free
Output	Triac, 0,45 A
Voltage output	24 V AC - 240 V AC
Frequency output	50 – 60 Hz
Suitable for SELV	Yes if all channels switch at SELV
Switching of various phases	Possible
Ambient temperature	-5 °C ... +45 °C
Type of protection	IP 20
Protection class	II according to EN 60 669

Article number: 4940240

Connection example



Scale drawings



Accessories

Actuator ALPHA 5 230 V

- Article number: 9070441
[Details ▶ www.theben.de](http://www.theben.de)



Actuator ALPHA 5 24 V

- Article number: 9070442
[Details ▶ www.theben.de](http://www.theben.de)

