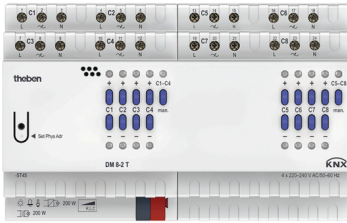


Description

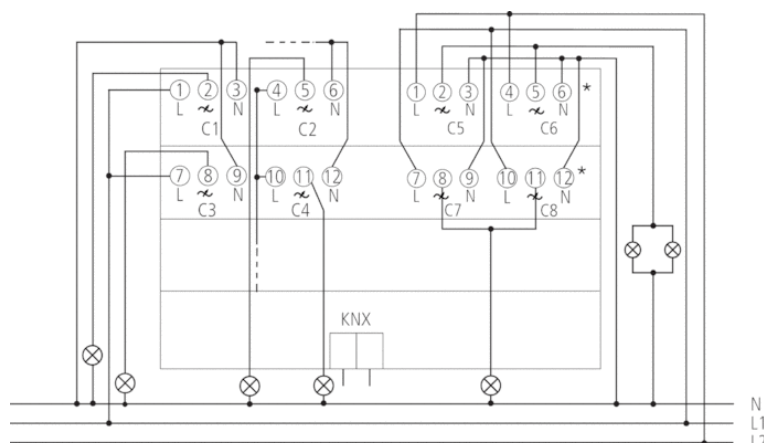


- 8-way universal dimmer actuator FIX2
- For dimming dimmable LED, incandescent lamps, LV, HV halogen lamps and energy saving lamps
- Also suitable for dimming of dimmable energy-saving lamps
- Also suitable for controlling fans
- LED switching status display for each channel
- Manual operation on device
- Dimming output: 200 W per channel
- Automatic load detection (can be deactivated)
- For R, L and C loads

Technical data

Operating voltage KNX	Bus voltage, ≤17,5 mA
Operating voltage	230 – 240 V AC
Frequency	50 – 60 Hz
Stand-by consumption	<1 W
Width	8 modules
Installation type	DIN rail
Type of connection	Terminal screws Bus connection: KNX bus terminal
Max. cable cross section	Solid wire: 0.5 mm ² (Ø 0.8) to 4 mm ² Stranded wire with end sleeve: 0.5 mm ² to 2.5 mm ²
Number of channels	8
Lamp types	Incandescent, low-voltage and high-voltage halogen and dimmable energy saving lamps and LED
Incandescent/halogen lamp load	200 W
LED lamp	Trailing edge (RC-mode): 200 W
Energy saving lamps	Trailing edge (RC-mode): 200 W
Switching capacity min.	2 W
Max. cable length	100 m
Ambient temperature	-5 °C ... +45 °C
Type of protection	IP 20
Protection class	II according to EN 60 669

Connection example



Scale drawings

