

Description

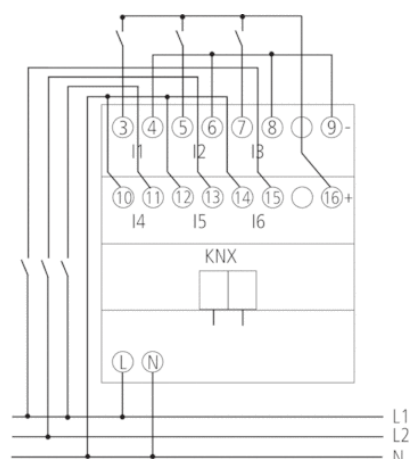


- 6-way binary input FIX1
- 6 floating universal and wide-range voltage inputs (10-240 V AC/DC or internally generated auxiliary voltage of approx. 12 V DC)
- 2 additional channels operable by buttons on the device, but without input
- LED switching status display for each channel
- Manual operation on device (even without bus connection)
- Manual operation per channel for simulating the input states
- All inputs can be operated with different voltages and at different potentials
- Connectable cable length up to 100 m
- Free allocation of functions: switch/push button, dimming, blinds/roller blinds, counter, repeat telegram, sequences

Technical data

Operating voltage KNX	Bus voltage, ≤ 4 mA
Operating voltage	110 – 240 V AC
Frequency	50 – 60 Hz
Stand-by consumption	$\sim 0,3$ W
Width	4 modules
Installation type	DIN rail
Type of connection	KNX bus terminal
Max. cable cross section	Solid wire: 0.5 mm ² (\varnothing 0.8) to 4 mm ² Stranded wire with end sleeve: 0.5 mm ² to 2.5 mm ²
Voltage inputs	10 V DC – 240 V AC 2 mA
Max. cable length	100 m
Auxiliary voltage	12 V DC/18 mA, SELV
Suitable for SELV	Yes, if all inputs are connected with SELV
Ambient temperature	-5 °C ... +45 °C
Type of protection	IP 20
Protection class	II according to EN 60 730-1

Connection example



Scale drawings

