

Presence detector

DualTech

COM2

EAN 4007841 008000

STEINEL[®]
PROFESSIONAL



ultrasonic sensor
360°



max. Ø 6 m
presence

2000w

max. 2000 W



10 - 1000 lux



ideal 2,5 - 3,5 m



indoor sensor

TEACH

Teach mode

iQ

iQ-mode



energy saving

5 JAHRE
HERSTELLER
GARANTIE

manufacturer's
warranty
[steinel-professional.de/garantie](https://www.steinel.de/garantie)

Function description

The best of both worlds. Combined in one detector. Ultrasonic presence detector DualTech, ideal for offices, conference rooms and class rooms. 36 sq.m. presence zone, ultrasonic technology provides reliable detection behind objects regardless of temperature, additional detection capability with PIR technology, electronic adjustment for ultrasonic reach, COM2 for switching light ON and OFF and also operating HVAC.

Presence detector

DualTech

COM2

EAN 4007841 008000

STEINEL[®]
PROFESSIONAL

Technical specifications

Type	Presence detector	Reach, tangential 2	passive infrared: Passiv Infrarot: Ø 8 m (Passiv Infrarot: 50 m²)
Dimensions (L x W x H)	120 x 120 x 68 mm	Reach, presence 2	passive infrared: Passiv Infrarot: Ø 4 m (Passiv Infrarot: 13 m²)
Mains power supply	220 – 240 V / 50 – 60 Hz	Twilight setting TEACH	Yes
Sensor Technology	Ultrasonic	Twilight setting	10 – 1000 lx
Application, place	Indoors	Time setting	30 s – 30 Min.
Application, place, room	classroom, one-person office, open-plan office, conference room / meeting room, duty room, recreation room, Indoors	Constant-lighting control	No
Installation site	ceiling	Basic light level function	No
Installation	Concealed wiring	Settings via	Remote control, DIP switches, Potentiometers, Smart Remote
Ultrasonic technology	40 kHz	With remote control	No
Electronic scalability	Yes	Interconnection	Yes
Mechanical scalability	No	Type of interconnection	Master/slave, Master/master
Mounting height	2,50 – 3,50 m	IP-rating	IP20
Optimum mounting height	2,8 m	Material	Plastic
Detection angle	360 °	Ambient temperature	-25 – 55 °C
Sneak-by guard	Yes	Colour	white
Reach, radial	Ultrasonic: Ultraschall: Ø 10 m (Ultraschall: 79 m²)	Colour, RAL	9010
Reach, presence	Ultrasonic: Ultraschall: Ø 6 m (Ultraschall: 28 m²)	Manufacturer's Warranty	5 years
Sensor Technology 2	passive infrared	Version	COM2
Reach, radial 2	passive infrared: Passiv Infrarot: Ø 4 m (Passiv Infrarot: 13 m²)	PU1, EAN	4007841008000

Accessories

EAN 4007841 009151	Remote control Smart Remote
EAN 4007841 559410	Service remote control RC8

Presence detector

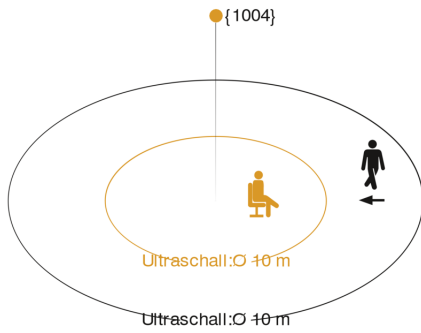
DualTech

COM2

EAN 4007841 008000



Detection Zone

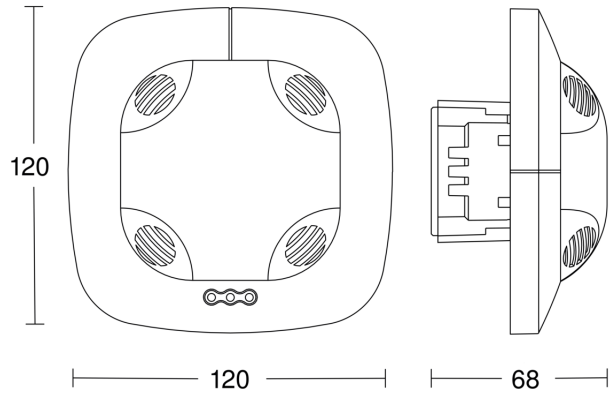


Mögliche Montagehöhe: 2,50 m – 3,50 m

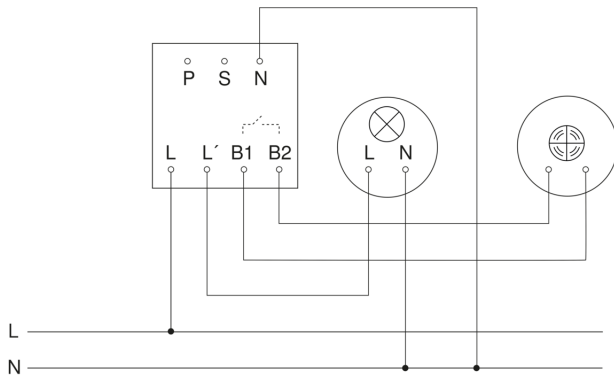
Orange: Präsenz und tangential

Schwarz: radial

Dimension Drawing



Master circuit diagram



Master/slave interconnection circuit diagram

