

Presence detector

# DualTech

COM1

EAN 4007841 007997

**STEINEL**<sup>®</sup>  
PROFESSIONAL



ultrasonic sensor  
360°



max. Ø 6 m  
presence

2000w

max. 2000 W



10 - 1000 lux



ideal 2,5 - 3,5 m



indoor sensor

TEACH

Teach mode

iQ

iQ-mode



energy saving

5 JAHRE  
HERSTELLER  
GARANTIE

manufacturer's  
warranty  
[steinel-professional.de/garantie](https://www.steinel.de/garantie)

## Function description

The best of both worlds. Combined in one detector. Ultrasonic presence detector DualTech, ideal for offices, conference rooms and class rooms. 36 sq.m. presence zone, ultrasonic technology provides reliable detection behind objects regardless of temperature, additional detection capability with PIR technology, electronic adjustment for ultrasonic reach, COM1 for switching light ON and OFF.

Presence detector

# DualTech

COM1

EAN 4007841 007997



## Technical specifications

Type	Presence detector
Dimensions (L x W x H)	120 x 120 x 68 mm
Mains power supply	220 – 240 V / 50 – 60 Hz
Sensor Technology	Ultrasonic
Application, place	Indoors
Application, place, room	classroom, one-person office, open-plan office, conference room / meeting room, duty room, recreation room, Indoors
Installation site	ceiling
Installation	Concealed wiring
Ultrasonic technology	40 kHz
Electronic scalability	Yes
Mechanical scalability	No
Mounting height	2,50 – 3,50 m
Optimum mounting height	2,8 m
Detection angle	360 °
Sneak-by guard	Yes
Reach, radial	Ultrasonic: Ultraschall: Ø 10 m (Ultraschall: 79 m <sup>2</sup> )
Reach, presence	Ultrasonic: Ultraschall: Ø 6 m (Ultraschall: 28 m <sup>2</sup> )
Sensor Technology 2	passive infrared
Reach, radial 2	passive infrared: Passiv Infrarot: Ø 4 m (Passiv Infrarot: 13 m <sup>2</sup> )

Reach, tangential 2	passive infrared: Passiv Infrarot: Ø 8 m (Passiv Infrarot: 50 m <sup>2</sup> )
Reach, presence 2	passive infrared: Passiv Infrarot: Ø 4 m (Passiv Infrarot: 13 m <sup>2</sup> )
Twilight setting TEACH	Yes
Twilight setting	10 – 1000 lx
Time setting	30 s – 30 Min.
Constant-lighting control	No
Basic light level function	No
Settings via	Remote control, DIP switches, Potentiometers, Smart Remote
With remote control	No
Interconnection	Yes
Type of interconnection	Master/slave, Master/master
IP-rating	IP20
Material	Plastic
Ambient temperature	-25 – 55 °C
Colour	white
Colour, RAL	9010
Manufacturer's Warranty	5 years
Version	COM1
PU1, EAN	4007841007997

## Accessories

EAN 4007841 009151	Remote control Smart Remote
EAN 4007841 559410	Service remote control RC8

Presence detector

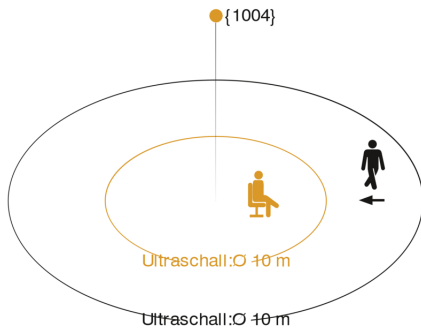
# DualTech

COM1

EAN 4007841 007997

**STEINEL**<sup>®</sup>  
PROFESSIONAL

## Detection Zone

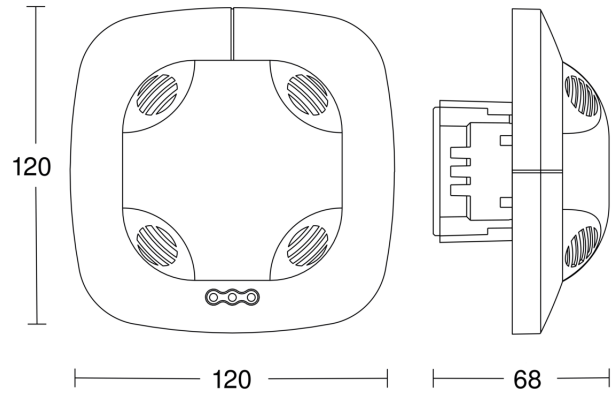


Mögliche Montagehöhe: 2,50 m – 3,50 m

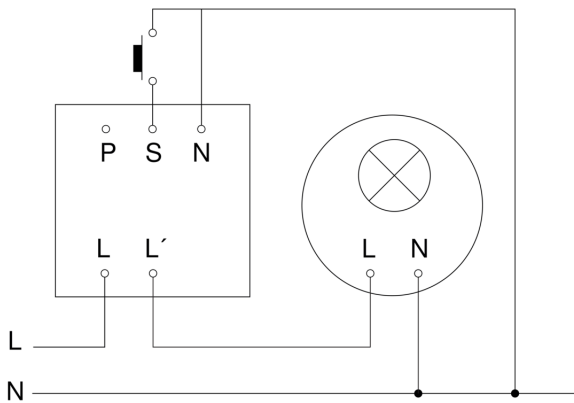
Orange: Präsenz und tangential

Schwarz: radial

## Dimension Drawing



## Master circuit diagram



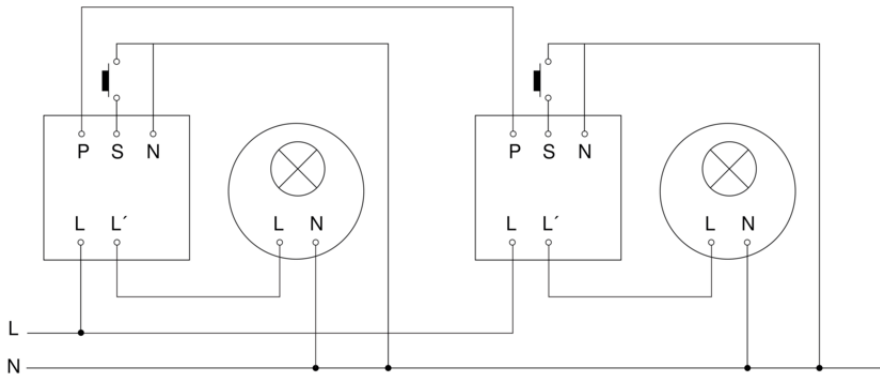
Presence detector

# DualTech

COM1

EAN 4007841 007997

## Master/master interconnection circuit diagram



## Master/slave interconnection circuit diagram

