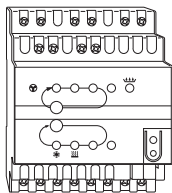


**KNX Fan coil actuator REG-K**

Operating instructions



Art. no. MTN645094

**For your safety**



**DANGER**

**Risk of fatal injury from electrical current.**

All work carried out on the unit may only be performed by skilled electricians. Observe the regulations valid in the country of use, as well as the valid KNX guidelines.

**Getting to know the actuator**

The fan coil actuator REG-K (referred to below as the **actuator**) is a DIN rail-mounted device for connection to a Bus KNX. The actuator is suitable for 2-pipe and 4-pipe systems. It controls up to 3 fan stages as well as 2 or 3-point heating and cooling valves. An additional relay enables the actuator of an electrical heater or a cooler bank.

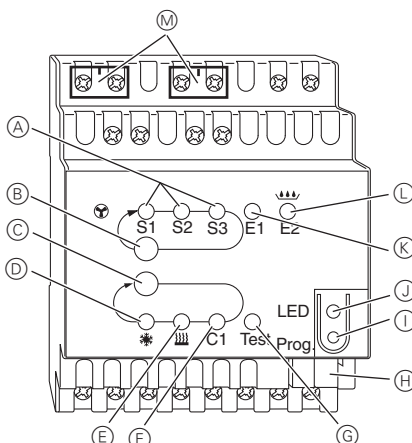
The actuator features 2 inputs for floating contacts, e.g. window contact and condensate monitoring (the window contact input can be reconfigured as a temperature sensor input in the ETS software).

**Necessary accessories**

The fan coil actuator is suited with a connection terminal for the accessory temperature sensor (art. no. MTN645091).



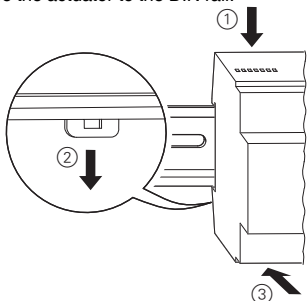
Only operate the fan coil actuator in connection with a multi-function push-button with room temperature control (art. no. MTN6232..., MTN6273..., MTN6236..., MTN6287..., MTN6288...).



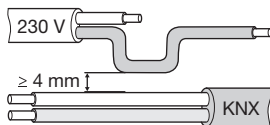
- (A) LED S1-S3: Display of fan stage
- (B) Test button: Fan stage
- (C) Test button: Valves and additional relay C1
- (D) LED: Cooling valve  
LED flashes = open heating valve, but cooling valve is still open
- (E) LED: Heating valve  
LED flashes = open cooling valve, but heating valve is still open
- (F) LED: Additional Relay
- (G) LED: Test mode activated
- (H) Bus connecting terminal
- (I) Programming button
- (J) LED: Programming
- (K) LED: window contact or sensor  
LED flashes = sensor break
- (L) LED: Contact free input or condensate
- (M) Cover for network connection terminal

**How to install the actuator**

- ① Place the actuator to the DIN rail.



- ② Connect the KNX.



**CAUTION**

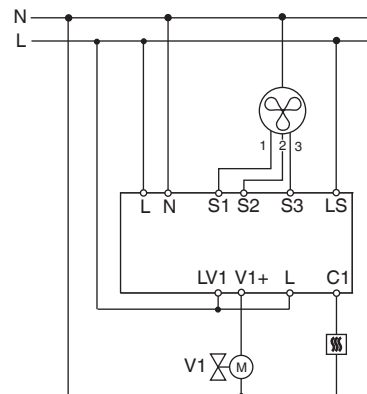
**Risk of fatal injury from electrical current. The device may become damaged.**

You must ensure that a safety clearance is maintained in accordance with IEC 60664-1. A distance of at least 4 mm must be maintained between individual cores of the 230 V cable and the KNX cable.

- ③ Mount the supply mains cover after the connection on the connection screws of the supply mains.

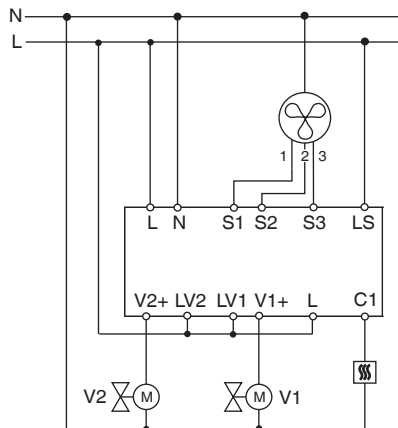
**How to connect a 2-point valve with heating or cooling and additional stage**

- ① Connect the 2-point valves and the additional stage. V1= heating or cooling valve



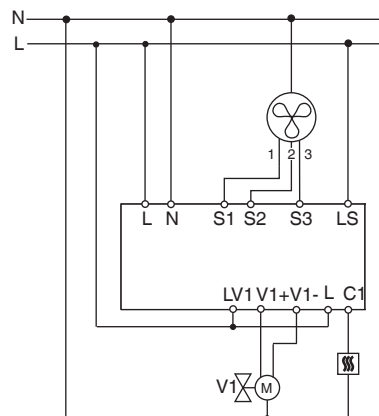
**How to connect a 2-point valve with heating/cooling and additional stage**

- ① Connect the 2-point valves and the additional stage. V1= heating valve V2= cooling valve



**How to connect a 3-point valve with heating or cooling and additional stage**

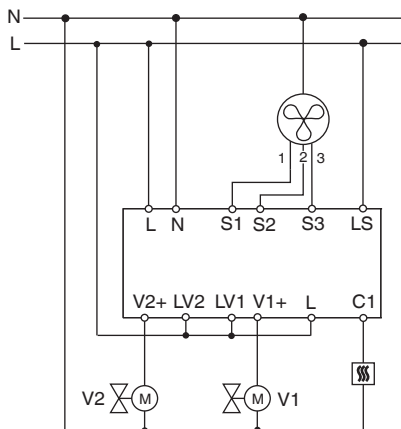
- ① Connect the 3-point valves and the additional stage. V1= heating or cooling valve



## How to connect a 3-point valve with heating/cooling and additional stage

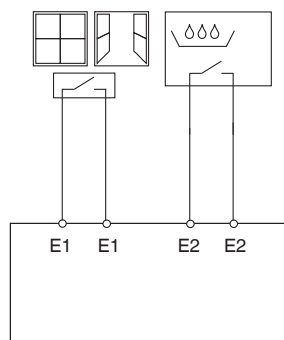
- ① How to connect the 3-point valve and the additional stage.

V1 = heating valve  
V2 = cooling valve



## How to connect the inputs

Connect the inputs as shown below:



## How to operate the actuator

- ① Press programming key

The programming LED lights up.

- ② Load the physical address and application into the device from the ETS.

The programming LED goes out.

The application has been loaded successfully; the device is operative.

## Test mode

The test mode is used to check the system, e.g. during start-up or troubleshooting. In this mode, the valves and the fans can be set by hand as required using the appropriate keys. A temperature sensor and/or window contacts (input 1 and 2) can also be checked.

### Important information about the test mode

- Both the control and the bus telegrams are ineffective to the device.
- All settings are possible without any restrictions.
- The fan stages and the valves are always supplied with power in sequence, irrespective of the parameters.
- The valves and the fan are actuated until they are switched off again by hand.
- Condensate alarm is not taken into account.



Avoid non-permitted operating stages as e.g. heating and cooling valves are open at the same time or a valve is continuously supplied with power!

### Activate test mode without loaded application

- Following Reset, e.g. after download or applying the bus voltage the test LED flashes for 1 s, the actuator is then in normal use.
- At initial start-up, e.g. no application program is loaded, the test LED flashes permanently.
- As long as the test LED flashes, the test mode can be activated by pressing keys B and C. The actuator switches to the test mode and the LED flashes permanently.

### Controlling fan

- ① Press the test key B, the fan stages will be enabled one after the other.

### Controlling valves and switching additional relay

- ① Press test key C repeatedly, the required valve or the additional relay C1 is selected.

The active function and the output status are displayed by the corresponding LED.

LED status	3-point valve	2-point valve
Off	Valve is not actuated	
On	Valve opens(V2+)	
Flashes	Valve closes(V2-)	
Off	Valve is not actuated	
On	Valve opens(V1+)	
Flashes	Valve closes(V1-)	

### Checking temperature sensor

- If a temperature sensor is connected to input E1, the measured room temperature is sent by KNX object 14. The application software must be parametrized for this.
- A sensor break or short-circuit in the sensor line are signalled by the value -60°C. Additionally LED E1 flashes.

### Check window contacts

- If a window contact is connected to input E1, the window status (open or close) is sent by KNX object 14. The application software must be parametrized for this.
- Likewise, input E2 (KNX object 16, condensate monitoring or window contact) can be checked.

### Close test mode

- Test mode is closed with a Reset. A Reset can be activated by the following condition:

- ① Press keys B and C at the same time (>2 s)

## How to handle mains/Bus failures



In the event of network/bus failure, all relays connected are opened regardless of how they have been parameterised via the software.



### Network failure detection for 3-point valve

If the mains voltage fails while a 3-point valve is being positioned, the valve position is unknown upon mains recovery. This is why the mains voltage at terminals L and N is monitored. Upon mains recovery, the valve is first completely closed and then moved to the correct position. This function is only possible when the device and the valves are connected to the same electrical circuit.

## Technical data

Operating voltage:	230V AC +/- 10%
Nominal frequency:	50 Hz
Power consumption:	max. 3 W
Power supply from KNX:	DC 24 V, max. 12 mA
Max. cable length	
E1 and E2:	5 m
Mode of operation:	Type 1
Outputs	
Valves:	0,5 A (24-230 V AC)
Additional relay(C1):	16 A
Fan relay:	8 A
Ambient temperature:	-5°C to +45°C
Protection class:	II subject to correct installation
Type of protection:	IP 20 according to EN 60529
Device standard:	EN 60730-1
Low-voltage directive:	73/23/EEC
EMC directive:	89/336/EEC

## Schneider Electric Industries SAS

If you have technical questions, please contact the Customer Care Center in your country.

[www.schneider-electric.com](http://www.schneider-electric.com)

This product must be installed, connected and used in compliance with prevailing standards and/or installation regulations. As standards, specifications and designs develop from time to time, always ask for confirmation of the information given in this publication.

# KNX Fan Coil Actuator

## Application 4253

---

### The KNX fan coil actuator application overview

- Parameter pages
- Communication objects
- Parameters
- Start-up
- Monitoring actuating value
- Set characteristic valve curve
- Set point adjustment
- Frost protection
- Dead zone
- Determining the current operating mode
- Fan control
- Temperature control

- **Parameter pages**

Function	Description
<b>General</b>	Supported functions, operation, filter change
<b>Fan</b>	Number of fan steps, switching thresholds etc.
<b>Heating valve</b>	Base settings for heating valve
<b>Cooling valve</b>	Base settings for cooling valve
<b>Heating/cooling valve</b>	Base valve settings for 2-pipe systems
<b>Auxiliary relay</b>	Use of auxiliary relay C1
<b>E1.. E2</b>	Settings for inputs E1 and E2
<b>Drip tray monitoring</b>	Reaction to condensation and signal source
<b>Set point adjustment</b>	Set point adjustment dependent on outdoor temperature
<b>Set point values</b>	Set point value after download, values for night, frost mode etc.
<b>Control</b>	Control parameter settings for the internal temperature controller
<b>Operating mode and operation</b>	Base settings for changing operating modes
<b>Filter monitoring</b>	Base settings for filter change

## KNX Fan Coil Actuator Application 4253

### • Communication objects

#### Object characteristics

The KNX fan coil actuator features 28 communication objects.  
Some objects can assume various functions depending on their configuration.

Key

Flag	Name	Meaning
C	Communication	Object can communicate
R	Read	Object status can be viewed (ETS / display etc.)
W	Write	Object can receive
T	Transmit	Object can transmit

No.	Function	Object name	Type	Flags			
				C	R	W	T
0	<i>Receive</i>	<i>Actuating value for fan</i>	1 byte EIS 6	✓	✓	✓	
	<i>Transmit</i>	<i>Heating actuating value</i>		✓	✓		✓
	<i>Receive</i>	<i>Actuating value heating</i>		✓	✓	✓	
	<i>Transmit</i>	<i>Actuating value heating/cooling</i>		✓	✓		✓
	<i>Receive</i>	<i>Actuating value heating/cooling</i>		✓	✓	✓	
	<i>Receive</i>	<i>Actuating value cooling</i>		✓	✓	✓	
1	<i>Transmit</i>	<i>Actuating value cooling</i>	1 byte EIS 6	✓	✓	✓	✓
	<i>Receive</i>	<i>Actuating value cooling</i>	1 bit EIS 1	✓	✓	✓	
	<i>Switchover</i>	<i>Heating/cooling</i>	1 bit EIS 1	✓	✓	✓	
	<i>1 = Heating disabled</i>	<i>Disable heating</i>	1 bit EIS 1	✓	✓	✓	
	<i>1 = Enable cooling</i>	<i>Enable cooling</i>	1 bit EIS 1	✓	✓	✓	
2	<i>report</i>	<i>Heating status</i>	1 bit EIS 1	✓	✓		✓
3	<i>report</i>	<i>Cooling status</i>	1 bit EIS 1	✓	✓		✓
4	<i>report</i>	<i>Fan step</i>	1 byte EIS 6/ EIS 14	✓	✓		✓
5	<i>Switching</i>	<i>Auxiliary relay</i>	1 bit EIS 1	✓	✓	✓	
	<i>report</i>	<i>Auxiliary relay status</i>	1 bit EIS 1	✓	✓		✓
6	<i>1 = Lock</i>	<i>Lock auxiliary ventilation</i>	1 bit EIS 1	✓	✓	✓	
7	<i>1 = Lock</i>	<i>Fan lock</i>	1 bit EIS 1	✓	✓	✓	
8	<i>Fan control with % value</i>	<i>Forced fan step</i>	1 byte EIS 6	✓	✓	✓	
9	<i>0 % = Auto</i> <i>1 %..100 % = Limitation</i>	<i>Limitation of fan step</i>	1 byte EIS 6	✓	✓	✓	
10	<i>Fan off</i>	<i>report</i>	1 bit EIS 1	✓	✓		✓
11	<i>Fan step 1</i>	<i>report</i>		✓	✓		✓
12	<i>Fan step 2</i>	<i>report</i>		✓	✓		✓
13	<i>Fan step 3</i>	<i>report</i>		✓	✓		✓
14	<i>Report</i>	<i>Actual value from E1</i>	2 bytes EIS 5	✓	✓		✓
	<i>Report</i>	<i>Status of window contact at E1</i>	1 bit EIS 1	✓	✓		✓
15	<i>switch</i>	<i>Manual mode= 1 / Auto = 0</i>	1 bit	✓	✓	✓	

## KNX Fan Coil Actuator Application 4253

			EIS 1				
16	<i>Report</i>	<i>Status of drip tray monitoring</i>	1 bit	✓	✓		✓
	<i>Input</i>	<i>Status of drip tray monitoring</i>	EIS 1	✓	✓	✓	
	<i>Report</i>	<i>Status of E2</i>		✓	✓		✓
17	<i>Input</i>	<i>Dew point alarm</i>	1 bit EIS 1	✓	✓	✓	
18	<i>Input</i>	<i>Outside temperature</i>	2 bytes EIS 5	✓	✓	✓	
19	<i>Delta in K</i>	<i>Adjust set point</i>	2 bytes EIS 5	✓	✓		✓
	<i>Value in °C</i>			✓	✓		✓
20	<i>1 = Actuating value loss</i>	<i>Actuating value loss</i>	1 bit EIS 1	✓	✓		✓
	<i>Sensor failure</i>	<i>Sensor failure</i>	1 bit EIS 1	✓	✓		✓
21	<i>Operating mode preset</i>	<i>Operating mode preset</i>	1 byte	✓	✓	✓	
	<i>1 = Night mode</i>	<i>Night mode &lt; - &gt; Standby</i>	1 bit EIS 1	✓	✓	✓	
22	<i>Input for presence signal</i>	<i>Presence</i>	1 bit	✓	✓	✓	
	<i>1 = Comfort mode</i>	<i>Comfort</i>	EIS 1	✓	✓	✓	
23	<i>Input for window contact</i>	<i>Window</i>	1 bit	✓	✓	✓	
	<i>1 = Frost protection</i>	<i>Frost protection</i>	EIS 1	✓	✓	✓	
24	<i>Transmit</i>	<i>Current operating mode</i>	1 byte	✓	✓		✓
25	<i>Receive</i>	<i>Manual adjustment</i>	2 bytes	✓	✓	✓	
26	<i>Receive</i>	<i>Base set point value</i>	2 bytes	✓	✓	✓	
27	<i>Transmit</i>	<i>Current set point value</i>	2 bytes	✓	✓		✓
28	<i>Switchover</i>	<i>Heating/cooling</i>	1 bit EIS 1	✓	✓	✓	
29	<i>1 = No energy medium</i>	<i>No energy medium</i>	1 bit EIS 1	✓	✓		✓
	<i>1 = Heating disabled</i>	<i>Heating required but heating disabled</i>		✓	✓		✓
	<i>1 = Cooling disabled</i>	<i>Cooling required but cooling disabled</i>		✓	✓		✓
30	<i>Time in hours</i>	<i>Fan duty time since last filter change</i>	2 byte EIS 10	✓	✓		✓
31*	<i>1 = Change</i>	<i>Change filter</i>	1 bit EIS 1	✓	✓	✓	✓
32	<i>Report</i>	<i>Test mode</i>	1 bit EIS 1	✓	✓		✓
				C	R	W	T

\* Also serves as reset input for filter change status.

Number of communication objects	33
Number of group addresses	64
Number of associations	64

## KNX Fan Coil Actuator Application 4253

---

### • Description of objects

#### **Object 0 "Actuating value for fan, Actuating value heating/cooling, transmit or receive Actuating value cooling".**

The function of the object is connected with the parameters "Supported function" and "Type of controller used" on the "General parameter page".

Supported function	Kind of controller used and Function of object		System type
	internal controller	remote controller	
Heating	Transmits the current actuating value of heating valve	Receives the actuating value for the heating valve	4-pipe system or heating only system
Cooling	Transmits the current actuating value of cooling valve	Receives the actuating value for the cooling valve	cooling only system
Heating and cooling	Transmits the current actuating value of the common heating and cooling valve	Receives the actuating value for the common heating and cooling valve	2-pipe system
Ventilator	receives the actuating value for fan control		Ventilation

#### **Object 1 "Actuating value cooling, Heating/cooling, Disable heating, Enable cooling"**

The function of the object is connected with the parameters "Supported function" and "System type" on the "General" parameter page.

Supported function	System type	
	2-pipe system	4-pipe system
Heating and cooling	Switch between heating and cooling operation Heating = 0 Cooling = 1	With remote controller: Receive actuating value cooling With internal controller: Transmit actuating value cooling
Heating	Disable heating: 1 on this object disables the heating function. Lock can be cleared with a 0. After reset, object value = 0, i.e. heating permitted	
Cooling	Enable cooling: 1 on this object <b>permits</b> cooling function. 0 on this object disables the cooling function. After reset, object value = 1, i.e. cooling permitted	

#### **Object 2 "heating status"**

Transmits the current heating status:

1 = Actuating value heating is greater than 0%, heating is switched on.

0 = Actuating value heating is 0%, heating is currently switched off.

## **KNX Fan Coil Actuator Application 4253**

---

### **Object 3 "*Cooling status*"**

Transmits the current cooling status:

1 = Actuating value cooling is greater than 0%, cooling is switched on.

0 = Actuating value cooling is 0%, cooling is currently switched off.

### **Object 4 "*Fan step*"**

Reports the current fan step.

2 formats can be selected:

- as 1 byte number between 0 and 3.

- as percentage value

See Format and cycle time for object fan step parameter

### **Object 5 "*Auxiliary relay, auxiliary relay status*"**

The function of this object is dependent on the "*Switching on auxiliary relay*" parameter on "*Auxiliary relay*" parameter page.

Using the "*via object*" setting, the auxiliary relay can be controlled externally via the bus with object 5.

With all other settings object 5 reports the current status of auxiliary relay.

### **Object 6 "*Disable auxiliary ventilation*"**

Disable object for the "auxiliary ventilation" function if this is activated.

1 = Lock

0 = Unlock

### **Object 7 "*Fan lock*"**

Disable object for fan control.

1 = Disable fan

0 = Automatic operation

### **Object 8 "*Forced fan step %*"**

The desired fan step in forced mode can be set as percentage value between 0 % and 100 % .

This can be done either by using the switch on the KNX room thermostat or via a KNX sensor (e.g. push button) configured for that purpose

Forced function is activated by Object 15.

## KNX Fan Coil Actuator Application 4253

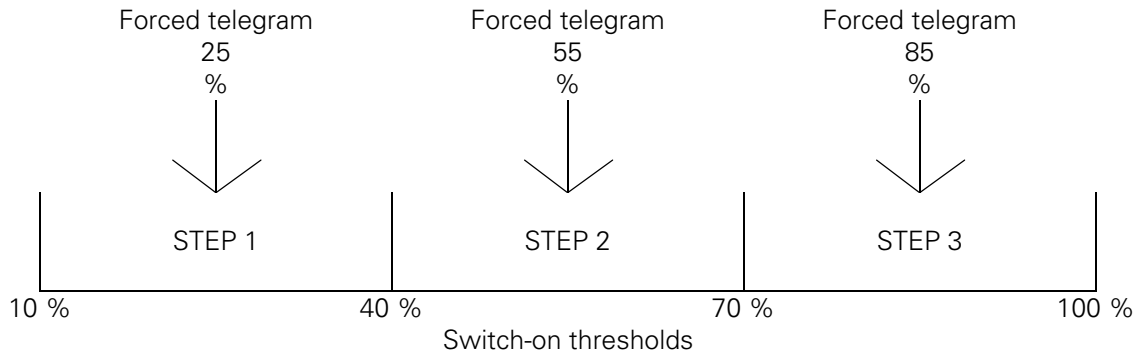
### Example:

Recommended forced telegrams for the following settings on the "Fan" parameter page:

Switch-on threshold for fan step 1 = 10 %

Switch-on threshold for fan step 2 = 40 %

Switch-on threshold for fan step 3 = 70 %



### Object 9 "Limitation of fan step"

This object can be used to set the maximum permitted actuating value and the associated maximum fan step.

The following values are used.

Value	Highest permissible fan step
0 %	The fan is not switched on
1 % .. 99%	Maximum permissible fan step for normal and forced operation
100 %	No limit, automatic operation (= object value after reset)

### Example:

Configured switch-on thresholds:

Fan step 1 = 10 %

Fan step 2 = 40 %

Fan step 3 = 70 %

Received value at object 9	Maximum fan step
0 % .. 9 %*	Fan is not switched on
10 % .. 39 %	1
40 % .. 69 %	2
70 % .. 100 %**	3

\* Value is under the switch-on threshold for step 1, the fan cannot be switched on.

\*\* Value is greater/equal to the switch-on threshold for level 3, i.e. no limit

### Object 10 "Fan off"

Report object for the fan status.

Transmits a 1 if the fan is switched off.

### Object 11 "Fan step 1"

Report object for the fan status.

Transmits a 1 if the fan is switched to step 1.



## KNX Fan Coil Actuator Application 4253

---

### Object 12 "Fan step 2"

Report object for the fan status.  
Transmits a 1 if the fan is switched to step 2.

### Object 13 "Fan step 3"

Report object for the fan status.  
Transmits a 1 if the fan is switched to step 3.

### Object 14 "Actual value from E1, Status window contact to E1"

The object function depends on the "Function of E1" parameter on the "E1" parameter page.

Parameters	Meaning
"Function of E1"	
E1 = Window contact	Transmits the current status of the window contact to the bus. • Only available when using a remote controller.
E1 = Actual value sensor	Transmits the current measured room temperature to the bus. • Fixed setting when using an internal controller.

### Object 15 "Manual mode = 1 / Auto = 0"

This object is used to activate or leave the forced fan step.  
The desired fan step for the forced operation is set by Object 8 .

The forced fan step has no effect on valve control.

### Object 16 "Drip tray monitoring status"

The function of this object depends on the "Source for drip tray monitoring" parameter on the "Drip tray monitoring" page.

Parameters	Object function
„Source for drip tray monitoring"	
E2	Transmits the status of the drip tray monitoring
Object 16	Receives the status of the drip tray monitoring from the bus

### Object 17 "Dew point alarm"

Receives the dew point alarm telegrams.  
1 = Alarm

### Object 18 "Outdoor temperature"

Receives the outdoor temperature for Set point adjustment

## KNX Fan Coil Actuator Application 4253

---

### Object 19 "Adjust set point"

Reports the current set point adjustment as an amount or as a differential.  
The *format of the correction value* is set on the *set point adjustment* parameter page.

Format of correction value	Object function	Example
<i>Absolute</i>	Transmits the amount: <i>Base set point without adjustment</i> + <i>Set point correction</i> as set point value for additional temperature controls.	<i>Base set point without adjustment</i> = 20°C. <i>Set point adjustment</i> = +2 K  The object transmits : 22 °C *
<i>Relative</i>	Calculated set point adjustment (in Kelvin) based on outdoor temperature.	<i>Base set point without adjustment</i> = 20°C. <i>Set point adjustment</i> = +2 K The object transmits : 2 K *

**\*Important:** If the *Use set point adjustment for regulation* parameter is set on "yes", the *base setpoint after reset* (i.e. set point for the internal controller) is also adjusted at the same time. In our example it is raised by 2 K in both cases.

### Object 20 "Actuating value loss, sensor failure"

The function of the object depends on the "*Type of controller used*" parameter on the "*General*" parameter page.

„Type of controller used“	Object function
<i>Internal controller</i>	Reports error if the temperature sensor connection is interrupted or shorted.
<i>Remote controller*</i>	Reports whether the actuating value is being received at regular intervals. 1 = Actuating value loss 0 = Actuating value OK

\* Sensor errors are only reported with use of an internal controller.

### Object 21 "Operating mode preset, Night <-> Standby"

The function of the object depends on the "*Object for operating mode preset*" parameter on the "*Operating mode and operation*" parameter page.

„Objects for setting operating mode“	Object function
<i>new: Operating mode, presence, window status</i>	1 byte object. One of 4 operating modes can be directly activated. 1 = Comfort, 2 = Standby, 3 = Night, 4 = Frost protection (heat protection) If another value is received (0 or >4) the comfort operating mode is activated. The details in brackets refer to cooling mode.
<i>old: Comfort, night, frost</i>	With this setting, this object is a 1 bit object. Night or standby operating mode can be activated. 0=Standby 1=Night

## KNX Fan Coil Actuator Application 4253

---

### Object 22 "Comfort , Presence"

The object function depends on the "Object for operating mode preset" parameter on the "Operating mode and operation" parameter page.

„Objects for setting the operating mode“	Object function
<i>new: Operating mode, presence, window status</i>	<b>Presence:</b> The status of a presence indicator (e.g. sensor, movement indicator) can be received via this object. A 1 on this object activates the comfort operating mode.
<i>old: Comfort, night, frost</i>	<b>Comfort:</b> A 1 on this object activates the comfort operating mode. This operating mode takes priority over night and standby operation. Comfort mode is deactivated by sending a 0 to the object.

### Object 23 "Window, frost protection"

„Objects for setting the operating mode“	Object function
<i>new: Operating mode, presence, window status</i>	<b>Window position:</b> The status of a window contact can be received via this object. A 1 on this object activates the frost / heat protection operating mode.
<i>old: Comfort, night, frost</i>	<b>Frost/heat protection:</b> A 1 on this object activates the frost protection operating mode. The heat protection mode is activated during cooling. The frost/heat protection operating mode takes top priority. The frost/heat protection mode remains until it is cleared again by entering a 0.

### Objekt 24 "Current operating mode"

Transmits the current operating mode as a 1 byte value (see below: Coding of operating modes).  
The transmission response can be set on the "Operating mode" parameter page.

Value	Operating mode
1	<i>Comfort</i>
2	<i>Standby</i>
3	<i>Night</i>
4	<i>Frost protection/heat protection</i>

## KNX Fan Coil Actuator Application 4253

---

### Object 25 "*Manual adjustment*"

Only available with internal controller.  
The object receives a temperature differential in EIS 5 format.  
The desired room temperature (current set point )  
can adjusted from the *base set point value* by this differential.

New set point value (heating) = Current set point + manual adjustment.  
New set point (cooling) = Current set point + manual adjustment + dead zone + set point adjustment.

Values outside the configurable range (see *Limitation of manual adjustment* on the *Operating mode and operation* parameter page) are limited to the highest or lowest value.

### Object 26 "*Base set point* "

The base set point is first specified via the application at start-up and stored in the "*base set point*" object.  
Afterwards, it can be specified again at any time using *Object 26* (limited by minimum or maximum valid set point value).  
If the bus voltage fails, this object is backed up and the last value is restored when the bus voltage returns.  
The object can be described as required.

### Object 27 "*Current set point value*"

Transmits the current set point value valid for control in EIS 5 format.

### Object 28 "*Heating/cooling*"

Is used if automatic switchover between heating and cooling is not required or not possible.  
The cooling operation is forced via 1 and the heating operation via 0.  
Only available in 4-pipe system when switching via object (internal controller).

### Object 29 "*No energy medium, heating required but heating disabled, cooling required but cooling disabled*"

Error reporting object:  
An error is reported in the following cases:

**Case 1:** Heating operation is forced via the *heating/cooling* object, however the room temperature is so far above the set point temperature that cooling is required.

**Case 2:** Cooling operation is forced via the *heating/cooling* object, however the room temperature is so far above the set point temperature that heating is required.

### Object 30 "*Fan duty time since last filter change*"

This object is available if the *Should filter change be reported* parameter is set to yes .

If selected, the object transmits the current status of internal fan elapsed-time counter.  
The fan runtime is transmitted in hours.  
The counter is reset via object 31.

## KNX Fan Coil Actuator Application 4253

---

### Object 31 "*Change filter* "

This object is available if the "*Should a filter change be reported*" parameter is set to "yes".

This object has 2 functions:

1. As a transmission object:  
Sends a 1 once the configured operating time of the fan has been reached.  
See "*Report filter change after fan operation (1..127 weeks)*" on the "*Filter monitoring*" parameter page.
2. As a receive object:  
Reset for the *Change filter* status and the fan elapsed-time counter (object 30).  
0 = Reset.

### Object 32 "*Test mode*"

Transmits a telegram if the device is set to test mode (1 = Test mode). See also: Test mode in the start up chapter.

### • Parameters

The standard values are **in bold**.

#### The General *parameter page*

Designation	Values	Meaning
<i>Supported function</i>	<i>Fan</i> <i>Heating</i> <i>Cooling</i> <b><i>Heating and cooling</i></b>	Available system
<i>Heating system</i>	<b><i>Fan coil</i></b> <i>Convector</i>	Type of heating system
<i>Cooling system</i>	<b><i>Fan coil</i></b> <i>Convector</i>	Type of cooling system
<i>System type</i>	<i>2-pipe system</i>  <b><i>4-pipe system</i></b>	There is one single water circuit that is filled with cooling or heating medium according to the season. The system consists of two separate water circuits for heating and cooling.
<i>Type of controller used</i>	<i>Internal controller</i>  <b><i>Remote controller</i></b>	The KNX fan coil actuator measures and controls the room temperature itself. The KNX fan coil actuator receives an actuating value from a remote controller and behaves as an actuator.
<i>est mode</i>	<i>activated</i>  <b><i>disabled</i></b>	After reset the user can change to <i>test mode</i> by pressing a button. <i>Test mode</i> is not possible.

## KNX Fan Coil Actuator Application 4253

Designation	Values	Meaning
Should a filter change be reported	<b>No</b> yes	If YES is selected then the "Filter monitoring" parameter page is blended in.
Should the actuating value be monitored	<b>No</b> Yes	See appendix: Monitoring the actuating value

### Fan parameter page

**IMPORTANT:** The difference between the 2 switch-on thresholds must be **at least 15%** .

Designation	Values	Meaning
Number of fan steps	1 step 2 steps <b>3 steps</b>	Available number of fan steps.
Switch-on threshold for fan step 1	0,4 %, 5 %, <b>10 %</b> , 15 %, 20 %, 25 %, 30 % 35 %, 40 %	Determines from which actuating value step 1 should switch on.
Switch-on threshold for fan step 2	0 %, 10 %, 20 % 30 %, <b>40 %</b> , 50 % 60 %, 70 %, 80 % 90 %, 100 %	Determines at which actuating value step 1 should change to step 2.
Switch-on threshold for fan step 3	0 %, 10 %, 20 % 30 %, 40 %, 50 % 60 %, <b>70 %</b> , 80 % 90 %, 100 %	Determines at which actuating value step 2 should change to step 3.
Fan starting strategy	<b>direct</b>  via step 1, 5 s via step 1, 10 s via step 1, 15 s via step 1, 20 s via step 1, 25 s via step 1, 30 s via maximum step, 5 s via maximum step, 10 s via maximum step, 15 s via maximum step, 20 s via maximum step, 25 s via maximum step, 30 s via maximum step, 40 s via maximum step, 50 s via maximum step, 60 s	The fan should start directly at the configured fan step.  The fan should always start at the lowest level and switch to the configured step after a delay.  The fan should always start at the highest level and switch to the configured step after a delay. This fan starting strategy must be selected if this is recommended by the fan manufacturer. <b>Important:</b> <b>The starting fan step will neither be displayed nor transmitted during operation.</b>
Minimum time to stay within a fan step	None, 1 min, <b>2 min</b> , 3 min 4 min, 5 min, 6 min, 7 min 8 min, 9 min, 10 min, 11 min 12 min, 13 min, 14 min, 15 min	Avoids too frequent a change between fan steps if the actuating value suddenly changes.
Additional ventilation	<b>no</b>	no additional ventilation

## KNX Fan Coil Actuator Application 4253

	<p>every 30 min for 3 min step 1  every 30 min for 5 min step 1  every 30 min for 3 min step 2  every 30 min for 5 min step 2  every 60 min for 3 min step 1  every 60 min for 5 min step 1  every 60 min for 3 min step 2  every 60 min for 5 min step 2</p> <p>permanent ventilation step 1  permanent ventilation step 2  permanent ventilation step 3</p>	<p>The fan should regularly switch on for the configured time independently of the actuating value.</p> <p>Regardless of the actuating value, the fan should permanently run at the selected step.</p>
Warm start	<p><b>no warm start</b></p> <p>30 s, 1 min, 1 min 30 s,  2 min, 2 min 30 s, 3 min,  3 min 30 s, 4 min, 4 min 30 s,  5 min, 5 min 30 s, 6 min,  6 min 30 s, 7 min,  7 min 30 s</p>	<p>The fan starts as soon as the valve is opened.</p> <p>The valve is opened first. The fan only starts after configured time has elapsed to prevent cold air being blown into the room. See appendix: Time between heating and cooling and follow-up time phase</p>
Follow-up time for utilisation of remaining energy	<p><b>No fan follow-up</b></p> <p>30 s, 1 min, 2 min, 3 min  4 min, 5 min, 6 min, 7 min  8 min, 9 min, 10 min, 15 min  20 min, 30 min  until valve is closed</p>	<p>The fan is turned off immediately if the valve is closed.</p> <p>If the valve is closed, the fan will carry on running for the set time to feed the remaining energy in the device into the room.</p>
Cyclical transmission of fan step	<p>Format counter value, don't transmit cyclically</p> <p>Format counter value,  Cycle time 3 min ... 60 min</p> <p><b>Format percentage, don't transmit cyclically</b></p> <p>Format percentage,  Cycle time 3 min ... 60 min</p>	<p>Object 4 transmits the current fan step as a number between 0 and 3.  Only at change.</p> <p>Cyclically and in the event of change</p> <p>Object 4 transmits the configured threshold value for the current step as a percentage:  Only at change.</p> <p>cyclically and in the event of change  Example:  Configured thresholds:  Fan step 1 = 10%  Fan step 2 = 40%  Fan step 3 = 70%  If fan step 2 is running, object 4 transmits a value of 40%  Cycle time can be set for between 3 and 60 minutes.</p>

## KNX Fan Coil Actuator Application 4253

### Heating valve *parameter page*

Designation		Values	Meaning
Type of valve		2-point  <b>3-point</b>	For standard actuators (Open / closed) For linear motorised actuators
2-point valve	Effect of the valve	<b>Valve opens when voltage is applied</b> Valve closes when voltage is applied	For valves closed without current For valves opened without current
	PWM time	3 min, 4 min, <b>5 min</b> , 6 min 7 min, 8 min, 9 min, 10 min 11 min, 12 min, 13 min, 14 min 15 min, 16 min, 17 min, 18 min 19 min, 20 min, 21 min, 22 min 23 min, 24 min, 25 min, 26 min 27 min, 28 min, 29 min, 30 min	An actuation cycle consists of one on and one off process and forms a PWM period.  Example: Actuating value= 20%, PWM time = 10 min: In an actuating cycle of 10 min, 2 min switched on and 8 min switched off (i.e. 20% on/ 80% off).
	Time for closing heating valve	0 min, 1 min, 2 min, <b>3 min</b> , 4 min, 5 min, 6 min, 7 min, 8 min, 9 min, 10 min, 15 min, 20 min, 30 min	Adjustment of selected actuator. Prevents the cooling valve opening too early.
3-point valve	Time for 100 % hub (5 ... 2,000s)	Manual input 5 ... 2000s (Standard <b>90 s</b> )	Adjustment to the actuator used to guarantee exact positioning.
	New position at change of	0 %,  1 %, 2 %, 3 %, 4 %, <b>5 %</b> , 6 %, 7 % 8 %, 9 %, 10 %, 11 % 12 %, 13 %, 14 %, 15 %	The valve is re-positioned each time the control variable is changed.  The valve is never repositioned until the control variable has changed from the last position by more than the set value. This avoids unnecessary repositioning.
Open from actuating value*		<b>0,4 %</b>  5 %, 10 % 15 %, 20 %, 25 % 30 %, 35 %, 40 %	Valve is opened even with minimum actuating value.  Valve is only opened once the actuating value has reached the set value. This setting prevents possible whistling when valve is open.
Minimum valve setting*		<b>0 %</b> , 5 %, 10 %, 15 % 20 %, 25 %, 30 %, 35 % 40 %, 45 %, 50 %	Minimum permissible valve setting with actuating value < > 0%.
Maximum valve setting from actuating value*		0,4 %, 10 %, 20 %, 30 % 40 %, <b>50 %</b> , 60 %, 70 % 80 %, 90 %, 100 %	Actuating value from which the valve accepts maximum valve setting.
Maximum valve setting*		55 %, 60 %, 65 %, 70 % 75 %, 80 %, 85 % 90 %, 95 %, <b>100 %</b>	Maximum permissible valve setting



## KNX Fan Coil Actuator Application 4253

Times between heating and cooling	<b>0 min</b> , 1 min, 2 min, 3 min, 4 min, 5 min, 6 min, 7 min, 8 min, 9 min, 10 min, 15 min, 20 min, 30 min	Delay when changing from heating to cooling after the heating valve is completely closed. The cooling valve can only be opened after this time has expired. See: Time between heating and cooling and follow-up time phase
Cyclical transmission of heating status every	<b>do not send cyclically</b> 3 min 5 min 10 min 15 min 20 min 30 min 60 min	Cyclical transmission time for heating status (object 2)

\* Setting characteristic valve curve; see Setting characteristic valve curve.

### Cooling valve parameter page

Designation	Values	Meaning
Type of valve	2-point  <b>3-point</b>	For standard actuators (Open / closed) For linear motorised actuators
2-point valve	Effect of the valve	<b>Valve opens when voltage is applied</b> Valve closes when voltage is applied
	PWM time	3 min, 4 min, <b>5 min</b> , 6 min 7 min, 8 min, 9 min, 10 min 11 min, 12 min, 13 min, 14 min 15 min, 16 min, 17 min, 18 min 19 min, 20 min, 21 min, 22 min 23 min, 24 min, 25 min, 26 min 27 min, 28 min, 29 min, 30 min
	Time for closing cooling valve	0 min, 1 min, 2 min, <b>3 min</b> 4 min, 5 min, 6 min 7 min, 8 min, 9 min 10 min, 15 min, 20 min 30 min
3-point valve	Time for 100 % hub (5 .. 2,000s)	Manual input 5 ... 2000s (Standard <b>90 s</b> )
	New position at change of	0 %, 1 %, 2 %, 3 %, 4 %, <b>5 %</b> , 6 %, 7 %, 8 %, 9 %, 10 %, 11 %, 12 %, 13 %, 14 %, 15 %

## KNX Fan Coil Actuator Application 4253

Designation	Values	Meaning
Open from actuating value*	<b>0,4 %</b> ,  5 %, 10 % 15 %, 20 %, 25 % 30 %, 35 %, 40 %	Valve is opened even with minimum actuating value.  Valve is only opened once the actuating value has reached the set value. This setting prevents possible whistling when valve is open.
Minimum valve setting*	<b>0 %</b> , 5 %, 10 %, 15 %, 20 %, 25 %, 30 %, 35 %, 40 %, 45 %, 50 %	Minimum permissible valve setting with actuating value < > 0%.
Maximum valve setting from actuating value*	0,4 %, 10 %, 20 %, 30 % 40 %, <b>50 %</b> , 60 %, 70 % 80 %, 90 %, 100 %	Actuating value from which the valve accepts maximum valve setting.
Maximum valve setting*	55 %, 60 %, 65 %, 70 % 75 %, 80 %, 85 % 90 %, 95 %, <b>100 %</b>	Maximum permissible valve setting
Cooling status transmits every	<b>do not send cyclically</b> 3 min 5 min 10 min 15 min 20 min 30 min 60 min	Cyclical transmission time for cooling status (object 2)

\* Setting characteristic valve curve; see appendix: Set characteristic valve curve.

### "Heating/cooling valve" parameter page (only with 2-pipe system)

Designation	Values	Meaning
Type of valve	<i>2-point</i>  <b>3-point</b>	For standard actuators (Open / closed) For linear motorised actuators
<i>2-point valve</i>	Effect of the valve	<b>Valve opens when voltage is applied</b> Valve closes when voltage is applied
	PWM time	3 min, 4 min, <b>5 min</b> , 6 min 7 min, 8 min, 9 min, 10 min 11 min, 12 min, 13 min, 14 min 15 min, 16 min, 17 min, 18 min 19 min, 20 min, 21 min, 22 min 23 min, 24 min, 25 min, 26 min 27 min, 28 min, 29 min, 30 min
	Time for closing valve	0 min, 1 min, 2 min, <b>3 min</b> , 4 min, 5 min, 6 min, 7 min, 8 min, 9 min, 10 min, 15 min, 20 min, 30 min

## KNX Fan Coil Actuator Application 4253

Designation		Values	Meaning
3-point valve	Time for 100 % hub (5 .. 2,000s)	Manual input 5 ... 2000s (Standard <b>90 s</b> )	Adjustment to the actuator used to guarantee exact positioning.
	New position at change of	0 %, 1 %, 2 %, 3 %, 4 %, <b>5 %</b> , 6 %, 7 % 8 %, 9 %, 10 %, 11 % 12 %, 13 %, 14 %, 15 %	The valve is re-positioned each time the control variable is changed. The valve is never repositioned until the control variable has changed from the last position by more than the set value. Enables frequent, small positioning increments to be suppressed
Open from actuating value*		<b>0,4 %</b> , 5 %, 10 % 15 %, 20 %, 25 % 30 %, 35 %, 40 %	Valve is opened even with minimum actuating value.  Valve is only opened once the actuating value has reached the set value. This setting prevents possible whistling when valve is open.
Minimum valve setting*		<b>0 %</b> , 5 %, 10 %, 15 %, 20 %, 25 %, 30 %, 35 %, 40 %, 45 %, 50 %	Minimum permissible valve setting with actuating value < > 0%.
Maximum valve setting from actuating value*		0,4 %, 10 %, 20 %, 30 % 40 %, <b>50 %</b> , 60 %, 70 % 80 %, 90 %, 100 %	Actuating value from which the valve accepts maximum valve setting.
Maximum valve setting*		55 %, 60 %, 65 %, 70 % 75 %, 80 %, 85 % 90 %, 95 %, <b>100 %</b>	Maximum defined valve setting
All send heating or cooling status		<b>do not send cyclically</b> 3 min 5 min 10 min 15 min 20 min 30 min 60 min	Cyclical transmission time for heating/cooling status (object 2)

\* Setting characteristic valve curve; see appendix: Set characteristic valve curve.

## KNX Fan Coil Actuator Application 4253

---

### Auxiliary relay *parameter page*

Designation	Values	Meaning
<i>Switching on auxiliary relay</i>	<b>Via object</b>  <i>If heating is required</i>  <i>If cooling is required</i>  <i>Combined with heating valve</i>  <i>Combined with cooling valve</i>	<p>The auxiliary relay is only controlled via the bus (see object 5)</p> <p>The auxiliary relay is switched on as soon as the heating actuating value is above 0%.</p> <p>The auxiliary relay is switched on as soon as the cooling actuating value is above 0%.</p> <p>The auxiliary relay only switches on if the heating valve is actually open*.</p> <p>The auxiliary relay only switches on if the cooling valve is actually open*.</p>
<i>All send auxiliary relay status</i>	<b>do not send cyclically</b> <i>3 min</i> <i>5 min</i> <i>10 min</i> <i>15 min</i> <i>20 min</i> <i>30 min</i> <i>60 min</i>	<p>Cyclical transmission time for the additional relay status.</p> <p>With the <i>via object</i> setting, the status is not transmitted.</p>

\* With an adjusted characteristic valve curve, the valve can remain closed with a low actuating value.

## KNX Fan Coil Actuator Application 4253

### E1 parameter page

Designation		Values	Meaning
Function of E1		<b>E1 = Window contact</b>  <i>E1 = Actual value sensor</i>	A window contact is connected to input E1. A temperature sensor is connected to E1
E1 = Window contact	Direction of operation of window contact	<b>Contact closed = window closed</b> <i>Contact open = window closed</i>	Type of connected contact (NC or NO)
	Window contact status transmits every	<b>do not send cyclically</b> <i>3 min, 5 min, 10 min, 15 min, 20 min, 30 min, 60 min</i>	Cyclical transmission time for window contact
E1 = Actual value sensor	Actual value offset in 0.1 K (-50..50)	<i>manual input -50 ... 50</i>	Positive or negative adjustment of measured temperature in 1/10 K increments. Examples: a) Fan coil actuator transmits 20.3°C. A room temperature of 21.0°C is measured using a calibrated thermometer. In order to increase the temperature of Fan coil actuator to 21 °C, "7" (i.e. 7 x 0.1K) must be entered. b) Fan coil actuator transmits 21.3°C. 20.5°C is measured . To reduce the transmitted temperature to 20.5 °C, "8" (i.e. -8 x 0.1K) must be entered.
	Transmits the current value on change	<i>only cyclically every 0.2 K every 0.3 K every 0.5 K every 1 K</i>	Is the current room temperature to be transmitted? If so, from which minimum change should this be retransmitted? This setting keeps the bus load as low as possible.
	Transmit actual value every	<b>do not send cyclically</b> <i>3 min, 5 min, 10 min, 15 min 20 min, 30 min 60 min</i>	How often should the actual value be sent, regardless of the temperature changes?

## KNX Fan Coil Actuator Application 4253

---

### E2 parameter page

This page is only available if the *Supported function* parameter is set to *Heating* (General parameter page).

Designation	Values	Meaning
<i>Function of E2</i>	<b>Contact closed = window closed</b> <i>Contact open = window closed</i>	Type of connected contact (NC or NO)
<i>Cyclical transmission of E2 status every</i>	<b>do not send cyclically</b> <i>3 min, 5 min, 10 min, 15 min, 20 min, 30 min 60 min</i>	Cyclical transmission time for input E2

### Drip tray monitoring parameter page

Designation	Values	Meaning
<i>Source for drip tray monitoring</i>	<b>E2</b>  <i>Object 16</i>	Condensate is reported to E2 via a contact  Condensate is reported to object 16 via the bus.
<i>Direction of action of E2</i>	<b>Contact closed = Condensate</b> <i>Contact open = Condensate</i>	Type of connected condensate report contact or condensate telegram.
<i>Behaviour in case of drip tray alarm</i>	<b>Cooling off and fan off</b> <i>Cooling off and fan step 1 Cooling off and max. fan step Only report</i>	Reaction to drip tray alarm
<i>Cyclical transmission of drip tray status every</i>	<b>do not send cyclically</b> <i>3 min, 5 min, 10 min, 15 min 20 min, 30 min 60 min</i>	Cyclical transmission time for drip tray status







## KNX Fan Coil Actuator Application 4253

Designation	Values	Meaning
		<b>Example</b> with base set point value of 21°C and dead zone of 2K: Mean value= 21°+1K =22°C Although control takes place at 21°C during heating and 23°C during cooling.
<i>Cyclical transmission of set point value every</i>	<b>do not send cyclically</b> 3 min, 5 min, 10 min 15 min, 20 min, 30 min 60 min	Cyclical transmission time for the current set point value

### Operating mode and operation *parameter page* (internal controller)

Designation	Values	Meaning
<i>Operating mode after reset</i>	Frost / heat protection Night-time temperature reduction <b>Standby</b> Comfort	Operating mode after start-up or re-programming
<i>Cyclical transmission of operating mode every</i>	<b>do not send cyclically</b> 3 min, 5 min, 10 min 15 min, 20 min, 30 min 60 min	Cyclical transmission time of operating mode (object 24)
<i>Objects for operating mode selection</i>	<b>new: Operating mode, presence, window status</b>  <i>old: comfort, night, frost (not recommended)</i>	Fan coil actuator can switch the operating mode depending on the window and presence contacts.  Traditional setting without window and presence status.
<i>Type of presence detector</i>	<b>Presence indicator</b>  <i>Presence keys</i>	The presence sensor activates comfort mode Comfort operating mode as long as the presence object is set.  If the operating mode object (Object 3) is called up again after setting the presence object the new operating mode will be accepted and the presence object reset.  If the presence object is set during night / frost operation, it is reset after the configured comfort extension finishes (see below). The presence object is not reported on the bus.

## KNX Fan Coil Actuator Application 4253

Designation	Values	Meaning
<i>Time for comfort extension</i>	30 min 1 hour 1.5 hours <b>2 hours</b> 2.5 hours 3 hours 3.5 hours	How long should the controller stay in comfort operating mode after presence has been detected? (Only for presence push buttons).
<i>Limitation of manual adjustment</i>	no adjustment  +/- 1 K +/- 2 K <b>+/- 3 K</b> +/- 4 K +/- 5 K	The set point cannot be adjusted.  The set point value can be changed by the configured amount at the most (object 25)

### Regulation parameter page (internal controller)

Designation	Values	Meaning	
<i>Sets the control parameters</i>	<b>Standard</b>  <i>User-defined</i>	For standard use. The control parameters are preset.  Professional application: The control parameters can be individually adjusted. See: Temperature control	
<i>User-defined parameters</i>	<i>Proportional band of heating control</i>	1 K, 1.5 K, 2 K 2.5 K, 3 K, 3.5 K <b>4 K</b> , 4.5 K, 5 K 5.5 K, 6 K, 6.5 K 7 K, 7.5 K, 8 K 8.5 K	Professional setting to adapt the control response to the room. Small values cause large changes in actuating values, larger values cause finer actuating value adjustment. Standard value: 4 K
	<i>Integrated time of heating control</i>	<i>Pure P control</i>  15 min., 30 min., 45 min., 60 min., 75 min., <b>90 min.</b> 105 min, 120 min 135 min, 150 min 165 min, 180 min 195 min., 210 min. 225 min	Only proportional controllers. See: Temperature control  This time can be adapted to suit particular circumstances. If the heating system is over-dimensioned and therefore too fast, shorter values should be used. Conversely, under-dimensioned heating (slow) benefits from longer integrated times. Standard value: 90 min
<i>User-defined parameters</i>	<i>Proportional band of the cooling control</i>	<i>Pure P control</i>  1 K, 1.5 K, 2 K 2.5 K, 3 K, 3.5 K <b>4 K</b> , 4.5 K, 5 K 5.5 K, 6 K, 6.5 K 7 K, 7.5 K, 8 K	Only proportional controller. See: Temperature control Professional setting to adapt the control response to the room. Large values cause finer changes to the actuating



## KNX Fan Coil Actuator Application 4253

Designation	Values	Meaning
		activated because of the temperature but heating is not enabled (object 1).
<i>Report, when no energy medium</i>	<b>Only if object value = 1</b> <i>Always cyclically</i>	with <i>Supported function = heating and cooling</i> Error message if heating or cooling should be activated because of the temperature and status of „ <i>Heating/cooling switch</i> “ object conflicts with this (for 2-pipe, object 1. With 4-pipe, object 28 when switching between heating and cooling via object).
<i>Report cyclically</i>	<i>every 3 min, 5 min, 10 min 15 min, 20 min, <b>30 min</b> 60 min</i>	Cyclical transmission time for energy medium error message

\*Change since last transmission

### Filter monitoring parameter page

This parameter page is only visible if this function has been selected on the *General* parameter page (parameter: *If a filter change is reported*).

Designation	Values	Meaning
<i>Report filter change after fan operation (1..127 weeks)</i>	<i>manual input: 1..127 (Standard <b>12</b>)</i>	interval between 2 filter changes in weeks.
<i>Cyclical transmission of filter change</i>	<b>only at filter change</b>  <i>always cyclically</i>	Object 31 only sends when filter change is required: 1 = Change filter Object 31 sends the filter status cyclically: 0 = Filter OK 1 = Change filter
<i>Transmit fan duty time* (in hours)</i>	<b>never transmit (reading is possible)</b>  <i>only at change</i>  <i>cyclically and at change</i>	The fan duty time is counted to the second internally, but not transmitted. The counter reading can be read from object 30.  The counter reading is transmitted every time the fan duty time increases by 1 hour.  The counter reading is transmitted at regular intervals and at changes.
<i>Send cyclically</i>	<i>every 3 min., every 5 min. every 10 min., every 15 min. every 20 min., every 30 min. every 45 min., <b>every 60 min.</b></i>	Cyclical transmission time for counter reading.

\* To reset the filter status and the counter reading, see object 31.

## KNX Fan Coil Actuator Application 4253

### Actuating value loss parameter page

This parameter page is only visible if an external controller is used and if the function has been selected on the *General* parameter page (parameter: *If the actuating value is monitored*).

Designation	Values	Meaning
Monitoring time for actuating value	30 min <b>60 min</b>	If no actuating value is received within the configured time, the substitute activating value applies.
Substitute actuating value (emergency program)	0 %, 10 %, <b>20 %</b> 30 %, 40 %, 50 %, 60 %, 70 %, 80 %, 90 %, 100 %	Actuating value for the emergency program provided no new actuating value is received by room temperature controller.
Report actuating value loss cyclically (1 = actuating value loss)	<b>only if object value = 1</b>  always cyclically	Object 20 only transmits at actuating loss.  Object 20 always transmits the status of actuating value. 0 = OK 1 = Actuating value loss
Report cyclically	every 3 min., every 5 min. every 10 min., every 15 min. every 20 min., <b>every 30 min.</b> every 45 min., every 60 min.	Cycle time for actuating value status.

# KNX Fan Coil Actuator

## Application 4253

---

- **Start-up**

### Test mode

Test mode serves to check the system, e.g. during commissioning or during troubleshooting. In this mode, the valves and the fans can be set by hand as required using the appropriate keys. A temperature sensor and/or the window contacts can also be checked.

### Important information about the test mode:

- Both the control and the bus telegrams are ineffective.
- All settings are possible without any restrictions.
- The valves are actuated until they are switched off again by hand.
- Condensate alarm is not taken into account.
- The prevention of improper operating conditions (e.g. heating and cooling valves are open simultaneously or a valve is permanently supplied with power, etc.) is the responsibility of the user.

### Allow / suppress test mode:

The test mode is allowed or suppressed via the *Test mode after reset* parameter on the *General* parameter page.

### Activate test mode:

Reset , i.e. via download or bus voltage application:

→ The test mode LED flashes for 1 minute.

During this time, the test mode can be started by pressing the valve (※/))) or fan button(∞).

The KNX fan coil actuator → switches to test mode and the "test" LED is permanently illuminated.

### End test mode:

The test mode can be ended by simultaneously pressing both buttons or reset.



If no buttons are pressed while the test mode LED is flashing, the KNX fan coil actuator automatically moves to normal operating mode after one minute.

*At initial start-up, i.e. no application program, the LED flashes without time limit.*

### Operation:

- Fan control:

The following operating conditions are accepted in sequence if button A (fan) is pressed.

Keystroke	Function	LED
1	Fan step 1	S1 on
2	Fan step 2	S2 on
3	Fan step 3	S3 on
4	Fan off	S1-S3 off

- Control valves, switch on auxiliary relay:



The following operating conditions are accepted in sequence if button B (valves) is pressed.

Keystroke	LED	Output
1	Cooling LED on	After 2 sec V2+ on
2	Cooling LED flashes	After 2 sec V2- on
3	Heating LED on	After 2 sec V1+ on
4	Heating LED flashes	After 2 sec V1- on
5	LED C1 on	After 2 sec C1 on
6	All LEDs off	All outputs off

## KNX Fan Coil Actuator Application 4253

Via the delayed switching of the outputs the user can skip the individual modes without altering the valve position by quickly pressing the buttons.

Status display, heating and cooling valve:

LED	Status	Meaning	
		with 3-way valves	with 2-way valves
	is OFF	Cooling valve is not actuated	Cooling valve is not actuated
	is ON	Cooling valve is opened (C+)	Cooling valve is opened (C+)
	Flashing	Cooling valve is closed (C-)	Cooling valve is closed (i.e. is no longer actuated).
	is OFF	heating valve is not actuated	heating valve is not actuated
	is ON	Heating valve is opened (H+)	Heating valve is opened (C+)
	Flashing	Heating valve is closed (H-)	Heating valve is closed (i.e. is no longer actuated).

### Checking the temperature sensor:

If a temperature sensor is connected to input E1, and E1 is configured accordingly in the application, the measured room temperature is transmitted by object 14.

A sensor break or short-circuit in the sensor line are reported by the value -60 °C.

### Checking the window contacts:

If a window contact is connected to input E1 and E1 is configured accordingly in the application, the window status is sent to the configured group address (object 14).

Likewise, input E2 can be checked (object 16, drip tray monitoring or window contact).

#### *Behaviour in delivery condition:*

Before the application software is downloaded for the first time, inputs E1, E2 and the auxiliary relay C1 are connected via a common group address:

E1 = 7/4/100

E2 = 7/4/101

C1 = 7/4/100, 7/4/101

If the contact is connected to E1 or E2, the auxiliary relay C1 is switched on.

This allows both inputs to be checked without bus monitor.

### Exit test mode

Test mode is closed with a reset, i.e.:

- by simultaneously pressing both buttons (A+B)
- by downloading the application
- by interrupting and resetting the bus voltage

## KNX Fan Coil Actuator Application 4253

---

### Device LEDs in automatic mode

LED	Function	Explanation
S1	Fan step 1	Lights up if fan step 1 is active ( <i>Starting strategy</i> is not taken into account).
S2	Fan step 2	Lights up if fan step 2 is active ( <i>Starting strategy</i> is not taken into account).
S3	Fan step 3	Lights up if fan step 3 is active ( <i>Starting strategy</i> is not taken into account).
❄	Cooling	Lights up if the cooling valve is open. Flashes if opening of the cooling valve is delayed, because the heating valve is not completely closed or the <i>time between heating and cooling</i> has run out.
)))	Heating	Lights up if the heating valve is open. Flashes if opening of the heating valve is delayed, because the cooling valve is not completely closed or the <i>time between heating and cooling</i> has run out.
C1	Auxiliary relay	Lights up if the auxiliary relay is switched on.
Test	Test mode	Flashes after reset if <i>test mode</i> is selected or if the device has not been programmed. Lights up if the device is in <i>test mode</i> .
E1	Input 1	When used as a <i>window contact</i> : Lights up if contact is closed. When used as an <i>actual value sensor</i> : Stays off in normal temperature range (i.e. -10 °C .. 60 °C). Flashes with interruption or short-circuit in the sensor line and temperatures outside the normal range.
E2	Input 2	For use as a <i>window contact</i> (only with <i>supported function = heating or ventilation</i> ) : Lights up if contact is closed. With <i>supported function = heating and cooling</i> or <i>cooling</i> : Flashes at drip tray alarm, regardless of <i>source for drip tray monitoring</i> .

### Mains power failure detection for 3-Point valves

In case of mains power failure during the positioning of a 3-point valve, this one would stay in an undefined position after power reset.

Therefore the tension at the L and N connection terminals is monitored and the 3-point valves will be closed after power reset. Afterwards, a new positioning will be started.

#### Important:

This feature is only available if the valves and the KNX fan coil actuator are part of the same circuit.



- **Monitoring actuating value**

### Application

Should the remote room temperature controller (RTR) fail, despite the last sent actuating value being 0%, all valves remain closed, irrespective of the continued temperature characteristic curve. This can result in considerable damage, if for example, cold air enters the room when the ambient temperature is below zero.

To avoid this situation, Fan coil actuator is able to guarantee the following functions:

1. monitor the correct function of the room thermostat
2. start an emergency program on actuating value failure
3. transmit the status obtained from actuating value monitoring

### Principle

Fan coil actuator drive monitors whether, within the configured time value, at least 1 actuating value telegram is received and assumes a pre-defined actuating value should the actuating value fail.

### Practice

The RTR is configured for cyclical transmission of the actuating value.

On the KNX fan coil actuator, the monitoring time is set to a value that is at least twice the cycle time of the RTR.

If the RTR transmits an actuating value every 15 minutes, the monitoring time must be at least 30 minutes.

After an actuating value loss, normal operation is resumed as soon as a new actuating value is received.

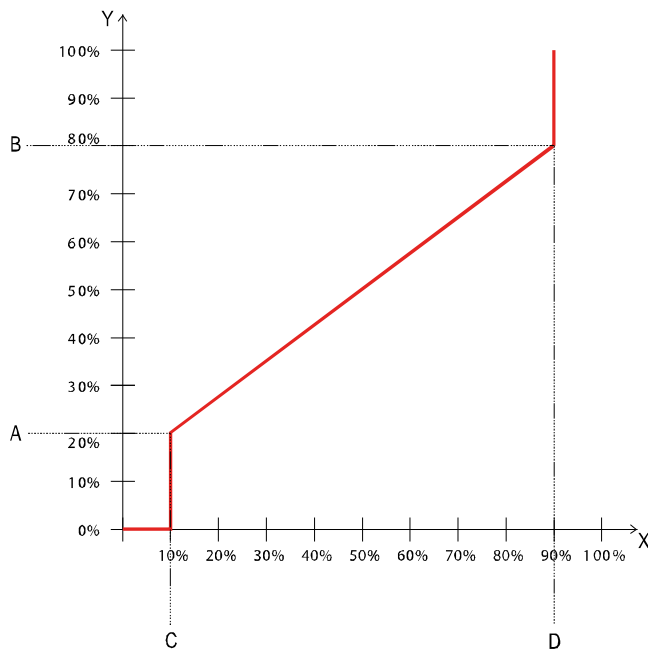
If the disable function is activated (object 1: *disable heating* = 1 or *enable cooling* = 0) only the actuating value loss telegram is transmitted.

The relevant valve remains/is closed and assumes the configured emergency program actuating value once the lock is removed.

- **Set characteristic valve curve**

The parameters on the *heating valve* and *cooling valve* pages enable exact adjustment to the available valve type or enable the adjustment of the control.

Example for a valve that starts to open from a position of 10% and is completely open by 80%.



	Description	Value
X	Actuating value of the controller	0 .. 100 %
Y	Resulting valve position	0 .. 100 %
A	Parameters: Minimum valve position*	20 %
B	Parameters: Maximum valve position	80%
C	Parameters: Open from actuating value	10 %
D	Parameters: Maximum valve position from actuating value	90 %

- **Set point adjustment**

The current set point can be adjusted via object 25 "*manual adjustment*" by up to +/- 5 K. With every alteration, the adjusted set point is transmitted by the *current set point value* object (object 27). The limits of the adjustment are set on the *operating mode and operation parameter page* with the *limitation of manual adjustment* parameter. The set point adjustment enables a dynamic adjustment of the set point to the outdoor temperature when cooling. If the outdoor temperature exceeds a set threshold, adjustment is activated and a relevant increase of the set point is calculated.

### Use with an internal controller

The set point adjustment can be applied to the internal controller, if the *use set point adjustment for control* parameter is set to yes.

In this case the set point value of the internal controller (*Base set point after reset*) is always relatively adjusted, i.e. increased or decreased by the calculated adjustment value (see figure 2 below).

Moreover, an independent set point value can be produced, which makes adjustment available for other controllers in the building (see below: Format of set point adjustment: Absolute).

### Use with a remote controller

There are 2 types of set point adjustment available for remote controllers, the relative and absolute. See also: Set point adjustment parameter page.

### Format of set point adjustment: Relative

Set point adjustment is sent from object 19 as a temperature differential.

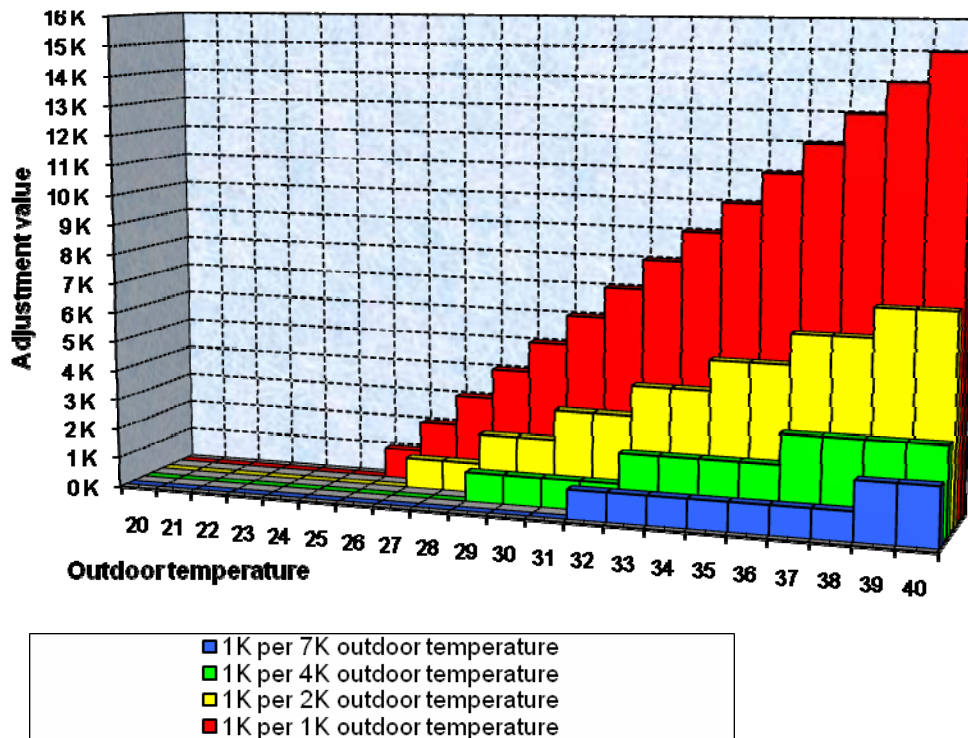
Provided the set point adjustment threshold (*set point adjustment from*) has not been reached, the value 0 is sent.

If the set point value threshold is exceeded, the value is increased each time by 1 K if the outdoor temperature has risen above the configured value (*adjustment*).

Object 19, *adjust set point*, is typically linked to the *manual set point adjustment* object of the room thermostat.

Example: Transmitted adjustment value  
*Set point adjustment from*: 25 °C

# KNX Fan Coil Actuator Application 4253



Adjustment values:

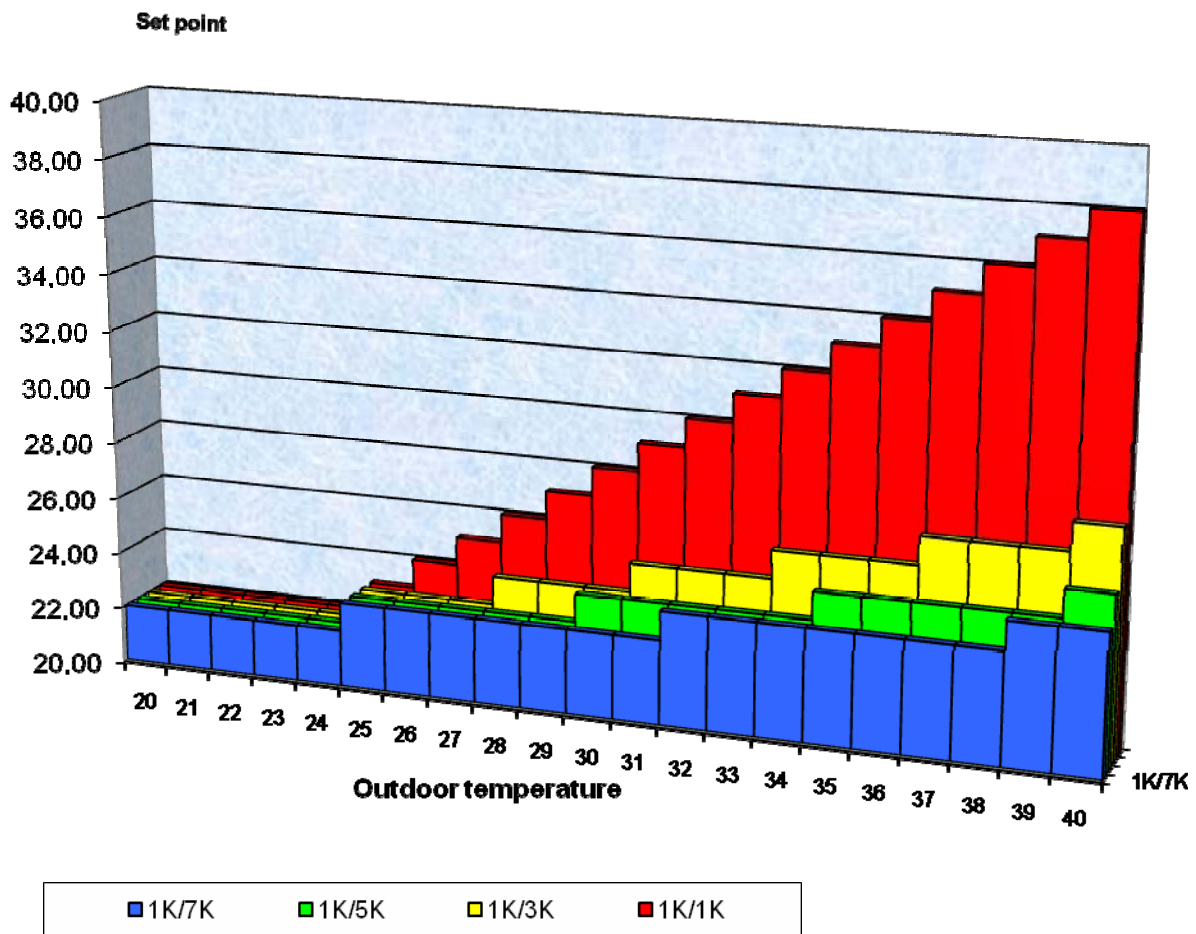
Outdoor temperature	1K/1K	1K/2K	1K/3K	1K/4K	1K/5K	1K/6K	1K/7K
20	0 K	0 K	0 K	0 K	0 K	0 K	0 K
21	0 K	0 K	0 K	0 K	0 K	0 K	0 K
22	0 K	0 K	0 K	0 K	0 K	0 K	0 K
23	0 K	0 K	0 K	0 K	0 K	0 K	0 K
24	0 K	0 K	0 K	0 K	0 K	0 K	0 K
25	0 K	0 K	0 K	0 K	0 K	0 K	0 K
26	1 K	0 K	0 K	0 K	0 K	0 K	0 K
27	2 K	1 K	0 K	0 K	0 K	0 K	0 K
28	3 K	1 K	1 K	0 K	0 K	0 K	0 K
29	4 K	2 K	1 K	1 K	0 K	0 K	0 K
30	5 K	2 K	1 K	1 K	1 K	0 K	0 K
31	6 K	3 K	2 K	1 K	1 K	1 K	0 K
32	7 K	3 K	2 K	1 K	1 K	1 K	1 K
33	8 K	4 K	2 K	2 K	1 K	1 K	1 K
34	9 K	4 K	3 K	2 K	1 K	1 K	1 K
35	10 K	5 K	3 K	2 K	2 K	1 K	1 K
36	11 K	5 K	3 K	2 K	2 K	1 K	1 K
37	12 K	6 K	4 K	3 K	2 K	2 K	1 K
38	13 K	6 K	4 K	3 K	2 K	2 K	1 K
39	14 K	7 K	4 K	3 K	2 K	2 K	2 K
40	15 K	7 K	5 K	3 K	3 K	2 K	2 K

**Format of set point adjustment: Absolute**

Object 19 transmits the adjusted set point value to the bus for additional room thermostats. It is typically linked to the room thermostat *base set point value* object.

This set point value consists of:  
*Unadjusted base set point + dead zone + adjustment.*

Example:  
*Set point adjustment from: 25 °C, unadjusted base set point : 21 °C, dead zone = 2 K*



## KNX Fan Coil Actuator Application 4253

---

Set point values

Outdoor temperature	1K/1K	1K/2K	1K/3K	1K/4K	1K/5K	1K/6K	1K/7K
20	22,00	22,00	22,00	22,00	22,00	22,00	22,00
21	22,00	22,00	22,00	22,00	22,00	22,00	22,00
22	22,00	22,00	22,00	22,00	22,00	22,00	22,00
23	22,00	22,00	22,00	22,00	22,00	22,00	22,00
24	22,00	22,00	22,00	22,00	22,00	22,00	22,00
25	23,00	23,00	23,00	23,00	23,00	23,00	23,00
26	24,00	23,00	23,00	23,00	23,00	23,00	23,00
27	25,00	24,00	23,00	23,00	23,00	23,00	23,00
28	26,00	24,00	24,00	23,00	23,00	23,00	23,00
29	27,00	25,00	24,00	24,00	23,00	23,00	23,00
30	28,00	25,00	24,00	24,00	24,00	23,00	23,00
31	29,00	26,00	25,00	24,00	24,00	24,00	23,00
32	30,00	26,00	25,00	24,00	24,00	24,00	24,00
33	31,00	27,00	25,00	25,00	24,00	24,00	24,00
34	32,00	27,00	26,00	25,00	24,00	24,00	24,00
35	33,00	28,00	26,00	25,00	25,00	24,00	24,00
36	34,00	28,00	26,00	25,00	25,00	24,00	24,00
37	35,00	29,00	27,00	26,00	25,00	25,00	24,00
38	36,00	29,00	27,00	26,00	25,00	25,00	24,00
39	37,00	30,00	27,00	26,00	25,00	25,00	25,00
40	38,00	30,00	28,00	26,00	26,00	25,00	25,00

- **Frost protection (or heat protection) via window contact**

**with remote controller:**

The window contact is connected to E1. The window status is transmitted to the bus by object 14 as a command to the remote controller.

This can change automatically in frost or heat protection mode when a window is opened.

The *function of E1* parameter on the *E1* parameter page must be *E1 = window contact*.

**with internal controller:**

This function is only possible if the *objects for operating mode selection* parameter on the *operating mode and operation* parameter page is set to *new: Operating mode, presence, window status*.

The information "*window is open*" can be recorded in two ways:

- The window contact is connected to a binary input and the window status is received on object 23.
- The window contact is connected to E2 (only possible with *supported function = heating*). Important: The corresponding switch object (object 16 *status E2*) must be connected via the group address with object 23 (*window contact input*). Fan coil actuator will recognise the opening of a window and independently change to frost protection mode (heat protection mode). When the window is closed the previously set operating mode will be restored.

## KNX Fan Coil Actuator Application 4253

---

- **Dead zone**

The dead zone is a buffer area between heating and cooling operation. Neither heating nor cooling takes place within this dead zone.

Without this buffer zone, the system would switch continuously between heating and cooling. As soon as the set point value has been under-run, the heating is activated and the set point value would not be achieved. If cooling were then to be started immediately, the temperature would fall below the set point value and switch on the heating again.

- **Determining the current operating mode**

The current setpoint value can be adjusted to the relevant requirements via the choice of operating mode. The operating mode can be set via objects 21 .. 23. There are two methods available:

### ***New operating modes***

If, on the parameter page, new operating mode is selected by the "Determining operating mode" parameter, the current operating mode can be defined as follows:

Operating mode preset Object 21	Presence Object 22	Window status Object 23	current operating mode (Object 24)
Any	any	1	frost / heat protection
Any	1	0	comfort
Comfort	0	0	comfort
Standby	0	0	standby
Night	0	0	night
frost / heat protection	0	0	frost / heat protection

### **Old operating modes**

If, on the parameter page, old operating mode is selected by the "determining operating mode" parameter, the current operating mode can be defined as follows:

Night Object 21	Comfort Object 22	Object 23 frost/heat protection	current operating mode Object 24
Any	any	1	frost / heat protection
Any	1	0	comfort
standby	0	0	standby
night	0	0	night

The old method has two advantages over the new method:

1. To switch from comfort to night operating mode, 2 telegrams (2 timer channels if necessary) are required.  
Object 4 must be set to "0" and object 3 to "1".
2. If during periods when "frost / heat protection" is selected via the timer, the window is opened and then closed again, the "frost / heat protection" mode is cleared.

## Determining the setpoint value

### Calculating the set point value in heating operation

#### Current set point value during heating

Operating mode	Current set point value
Comfort	Basersetpoint value* +/- set point adjustment
Standby	Base set point* +/- set point adjustment – reduction in standby mode
Night	Base set point +/- set point adjustment – reduction in night mode
Frost / heat protection	configured set point for frost protection mode

\* *Base set point after reset*

#### Example:

Heating in comfort mode.

#### Parameter settings:

Parameter page	Parameters	Setting
<i>Set point values</i>	Base set point after reset	21 °C
	Reduction in standby mode (during heating)	2 K
<i>Operating mode and operation</i>	Limitation of manual adjustment	+/- 2 K

The set point value was previously increased via object 25 by 1 K.

#### Calculation:

Current set point value = base set point + set point adjustment  
 = 21°C + 1K  
 = 22°C

If operation is switched to standby mode, the current set point value is calculated as follows:

Current set point = base set point + set point adjustment – reduction in standby mode  
 = 21°C + 1K – 2K  
 = 20°C



# KNX Fan Coil Actuator

## Application 4253

---

### Calculating the setpoint value in cooling operation

#### Current set point value during cooling

Operating mode	Current set point value
Comfort	Baset set point* + set point adjustment + dead zone
Standby	Base set point + set point adjustment + dead zone + increase in standby mode
Night	Base set point + set point adjustment + dead zone + increase in night mode
Frost / heat protection	configured set point value for heat protection mode

\* Base set point after reset

#### Example:

Cooling in comfort mode.

The room temperature is too high and Fan coil actuator has switched to cooling operation

#### Parameter settings:

Parameter page	Parameters	Setting
General	Supported function	Heating and cooling
Set point values	Base set point after reset	21 °C
Set point values for cooling	Dead zone between heating and cooling	2 K
	Increase in standby operation	2 K
Operating mode and operation	Limitation of manual adjustment	+/- 2 K

The set point value was previously lowered by 1 K via object 25.

#### Calculation:

$$\begin{aligned}
 \text{Current set point value} &= \text{base set point} + \text{set point adjustment} + \text{dead zone} \\
 &= 21^{\circ}\text{C} - 1\text{K} + 2\text{K} \\
 &= 22^{\circ}\text{C}
 \end{aligned}$$

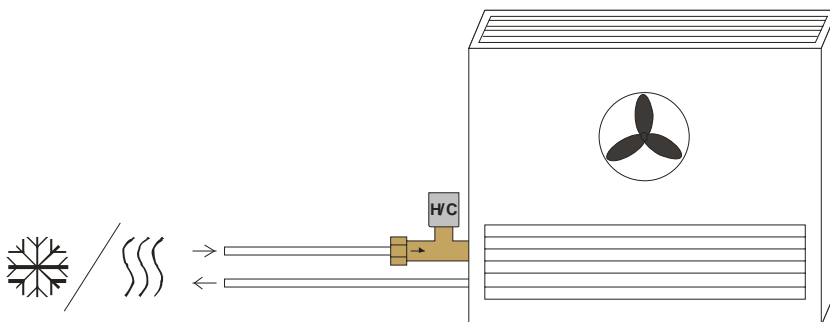
Changing to standby mode causes a further increase in the set point value (energy saving) and gives rise to the following set point value.

$$\begin{aligned}
 \text{Set point value} &= \text{base set point} + \text{set point adjustment} + \text{dead zone} + \text{increase in standby mode} \\
 &= 21^{\circ}\text{C} - 1\text{K} + 2\text{K} + 2\text{K} \\
 &= 24^{\circ}\text{C}
 \end{aligned}$$

## KNX Fan Coil Actuator Application 4253

---

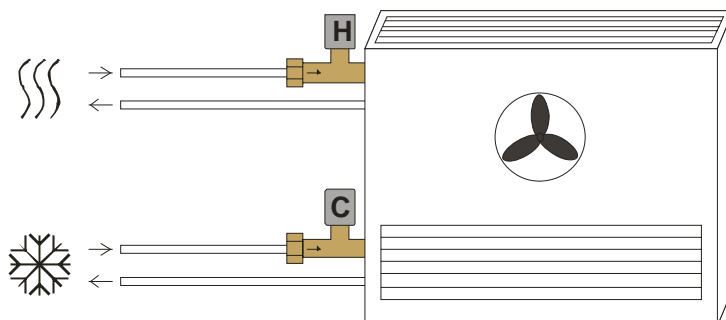
### *Heating and cooling in the 2 pipe system*



The following points must be observed for use in a 2 pipe heating/cooling system:

- In the 2-wire system heating and cooling mediums (depending on the season) are fed through the same channels and controlled by the same valve. This is connected to the terminals for the *V1* valve.
- The switchover between heating and cooling mediums is performed by the system and must therefore be passed on to the controller. The heating/cooling system must send a 0 for heating mode and a 1 for cooling mode to Object 1 "Switching between heating and cooling" in Fan coil actuator.

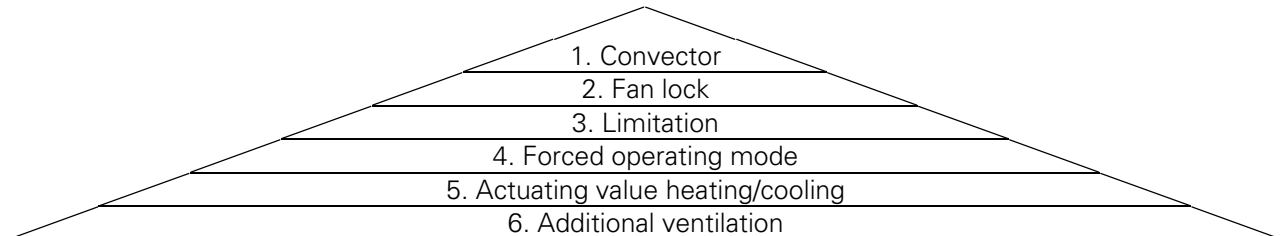
### *Heating and cooling in the 4 pipe system*



When used in a 4-pipe heating/cooling system the heating valve is connected to the *V1* terminals and the cooling valve to the *V2* terminals.

- **Fan control**

### Priorities



The *heating system = convector / fan coil* and *cooling system = convector / fan coil* parameters have the highest priority (1.). The fan is not actuated with the convector.

The *additional ventilation* parameter has the lowest priority and is only activated if the fan is to be switched off due to the actuating value and *additional ventilation* is permitted via parameters.



In the standard heating or cooling mode the *open from actuating value* parameter is taken into account ( *heating valve, cooling valve* or *heating/cooling valveparameter value*).

Example with *open from actuating value = 40 %* parameter:

Actuating value	Fan behaviour
1 .. 39 %	The fan does not start because the valve has not been opened*.
40 % .. 100%	The corresponding fan step is accepted

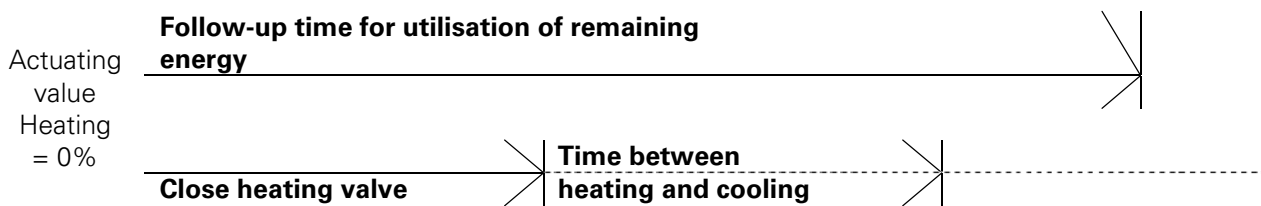
\*The *Additional ventilation* function can still be used.

**Time between heating and cooling and follow-up time phase**

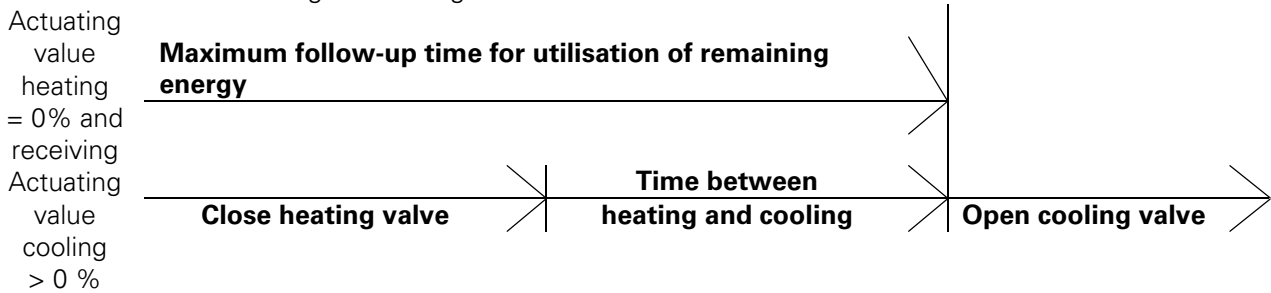
When switching between heating and cooling the heating valve is first closed; the *Follow-up time for utilisation of remaining energy* starts simultaneously (if configured). After the heating valve is closed, the configured *time between heating and cooling* operates.

The follow-up phase can continue during this time. The cooling valve can be opened at the end of the follow-up phase. In this case, the follow-up phase will be interrupted if it has not already ended. If the cooling valve does not have to be opened because the room temperature is in the dead zone the follow-up phase may continue. The same procedure applies when switching between cooling and heating. As soon as the heating valve is opened, the *warm start* phase starts if required.

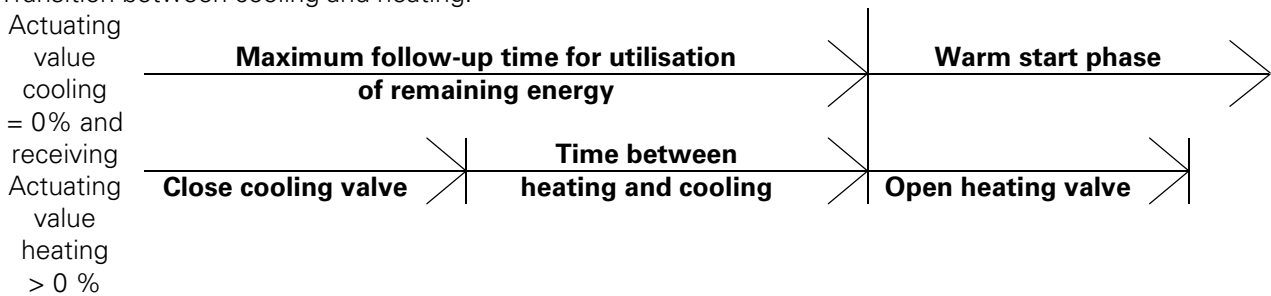
Follow-up time for utilisation of remaining energy:



Transition between heating and cooling.



Transition between cooling and heating.



### Hysteresis

To avoid unnecessary switching back and to between fan steps they are switched with a fixed hysteresis of 10 %.

The next higher fan step is assumed when the actuating value has reached the switch-on threshold.

The next lowest fan step is only assumed if the actuating value has reduced by the value of the hysteresis ( see diagram).

Example:

Switch-on threshold for fan step 1 = 10 %

Switch-on threshold for fan step 2 = 40 %

Switch-on threshold for fan step 3 = 70 %

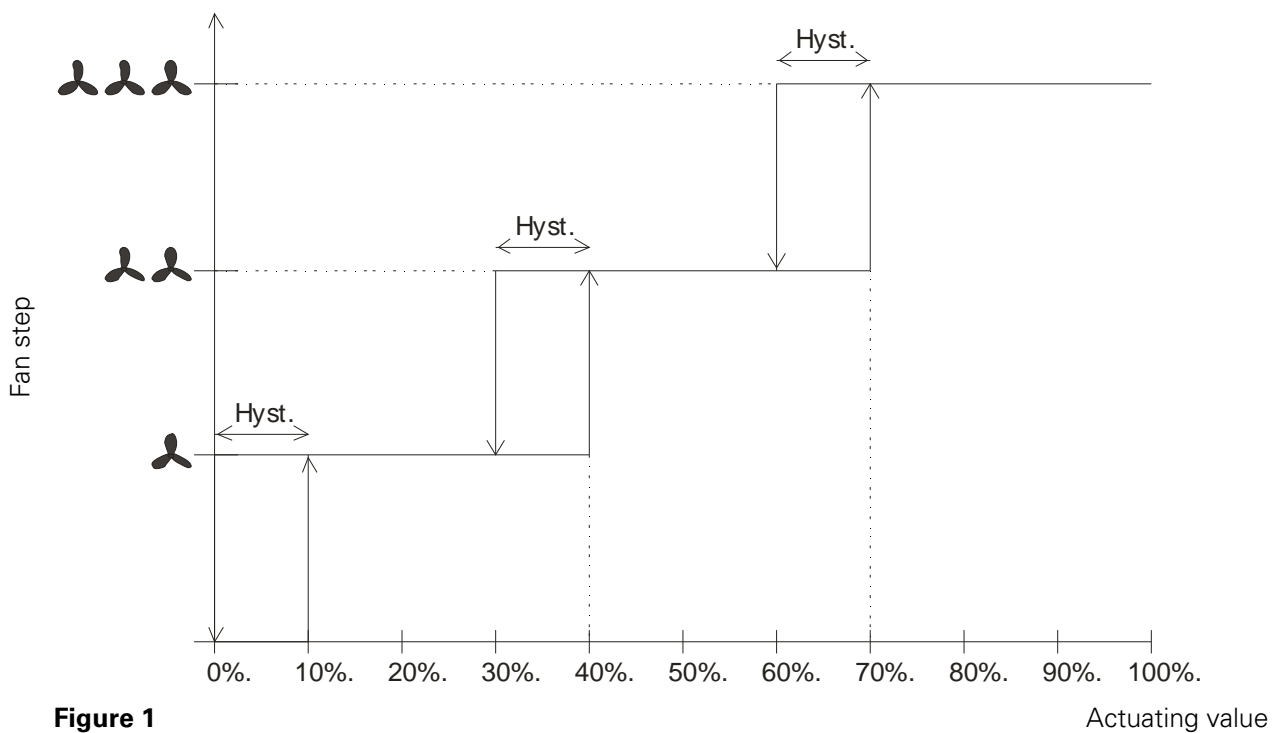


Figure 1

Actuating value

- **Temperature control**

### Introduction

The internal controller can be used as a P or a PI controller, although the PI control is preferred.

With the proportional control (P control), the control variable is statically adjusted to the control deviation. The proportional integral control (PI control) is far more flexible, i.e. controls more quickly and more accurately.

To explain the function of both temperature controls, the following example compares the room to be heated with a vessel.

The filling level of the vessel denotes the room temperature.

The water supply denotes the radiator output.

The heat loss from the room is illustrated by a curve.

In our example, the maximum supply volume is 4 litres per minute and also denotes the maximum radiator output.

This maximum output is achieved with an actuating value of 100%.

Accordingly, with an actuating value of 50%, only half the water volume, i.e. 2 litres per minute, would flow into our vessel.

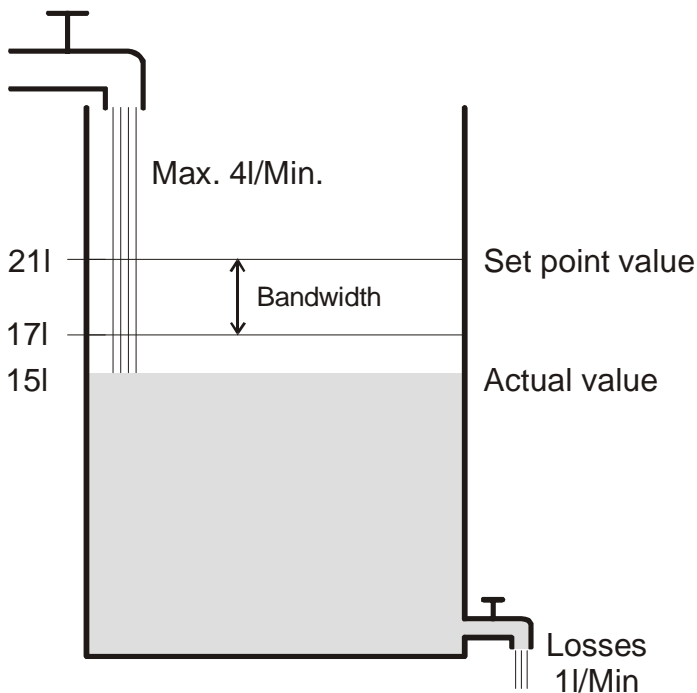
The bandwidth is 4l.

This means that the controller controls at 100% provided the actual value is smaller than, or equal, to  $(21 - 4) = 17$ .

### Function:

- Desired filling volume:  
21 litres (= set point)
- From when should the supply flow gradually be reduced in order to avoid an overflow? :  
4l below the desired filling volume, i.e. at  $21 - 4 = 17$  (=bandwidth)
- Original filling volume  
15l (=actual value)
- The loss amounts to 1l/minute

**Response of the P-control**



A filling volume of 15l gives rise to a control deviation of  $211 - 151 = 61$   
 Because our actual value lies outside the bandwidth, the control will control the flow at 100%  
 i.e. at 4l / minute

The supply quantity (control variable) is calculated from the control deviation  
 (set point value – actual value) and the bandwidth.  
 Control variable = (control deviation / bandwidth) x 100

The table below shows the response and therefore also the limits of the P-control

Filling level	Actuating value	Supply	Loss	Increase in filling level
15l	100%	4 l/min	1 l/min	3 l/min
19l	50%	2 l/min		1 l/min
20l	25%	1 l/min		0 l/min

The last line indicates that the filling level cannot increase any further, because the flow allows only the same amount of water to flow in as can flow out through loss.

The result is a permanent control deviation of 11 and the setpoint value can never be reached.

If the loss was 1l higher, the permanent control deviation would increase by the same amount and the filling level would never exceed the 19l mark.

In a room this would mean that the control deviation increases with a decreasing outside temperature.

## **KNX Fan Coil Actuator Application 4253**

---

### ***P-control as temperature control***

The P-control behaves during heating control as shown in the previous example. The set point temperature (21°C) can never quite be reached.

The permanent control deviation increases as the heat loss increases and decreases as the ambient temperature decreases.

### **Response of the PI-control**

Unlike the pure P-control, the PI-control works dynamically. With this type of controller, the actuating value remains unchanged, even at a constant deviation.

In the first instant, the PI-control sends the same actuating value as the P-control, although the longer the set point value is not reached, the more this value increases.

This increase is time-controlled over the so-called integrated time.

With this calculation method, the actuating value does not change if the set point value and the actual value are the same.

Our example, therefore, shows equivalent in and outflow.

### ***Notes on temperature control:***

Effective control depends on agreement of bandwidth and integrated time with the room to be heated.

The bandwidth influences the increment of the actuating value change: Large bandwidth = finer increment on actuating value change. The integrated time influences the response time to temperature changes: Long integrated time = slow response. Poor agreement can result in either the set point value being exceeded (overshoot) or the control taking too long to reach the set point value. The best results are generally achieved using the standard settings.