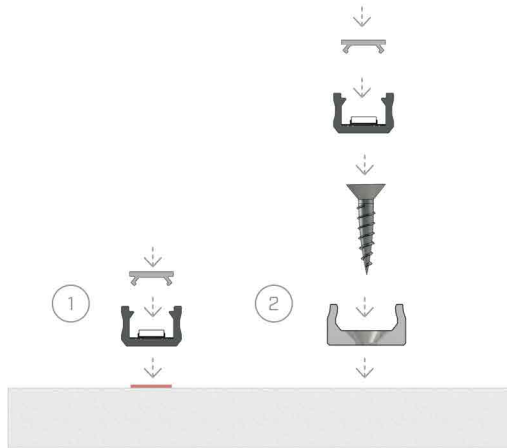
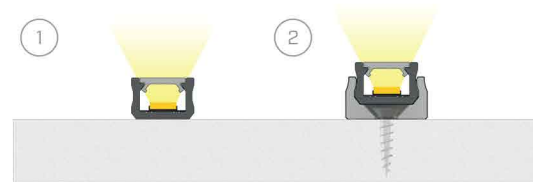


fig. 1



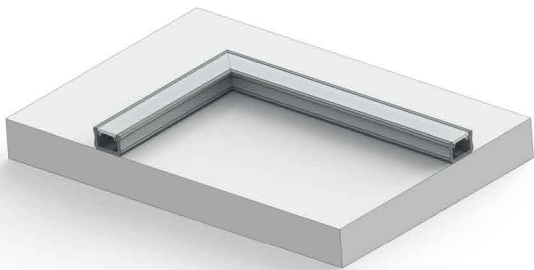
Installation instructions for profile X with a SLIM cover using (1) double-sided tape, (2) a mounting clip and screw

fig. 2



The end result of installation of profile X with a SLIM cover using (1) double-sided tape, (2) a mounting clip and screw

fig. 3



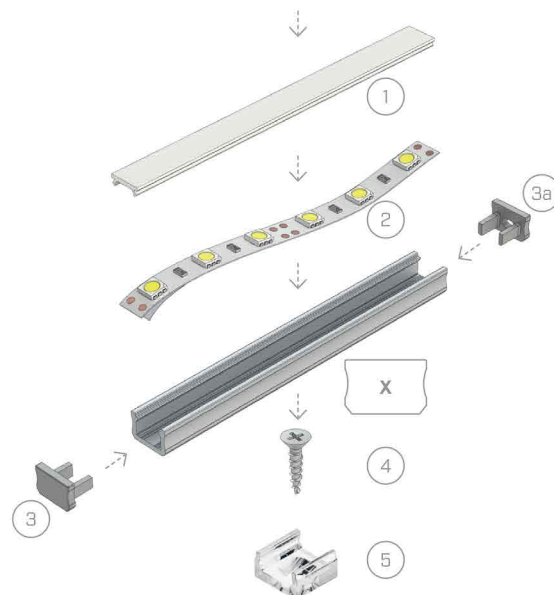
Connecting profiles X with SLIM cover at 90 degrees

fig. 4



Decorative effect of installing profile X behind the edge of the mirror

fig. 5



Assembly scheme for elements of the lighting system using profile X and (1) a SLIM cover, (2) a LED strip, (3) end cap without hole, (3a) end cap with hole, (4) screw, (5) MINI mounting clip for profile X