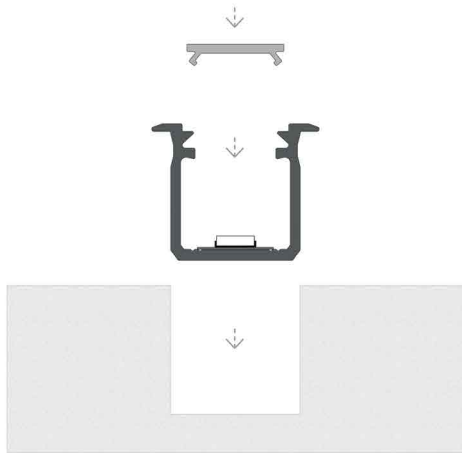


fig. 1



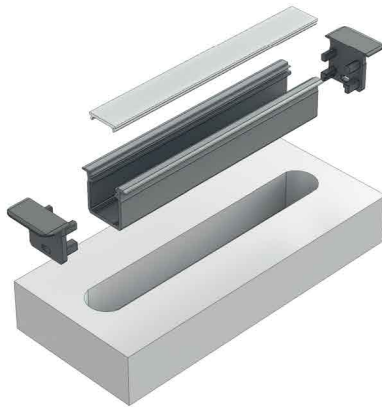
Installation instructions for groove mounted profile G with a BASIC cover

fig. 2



The end result of installation of groove mounted profile G with a BASIC cover

fig. 3



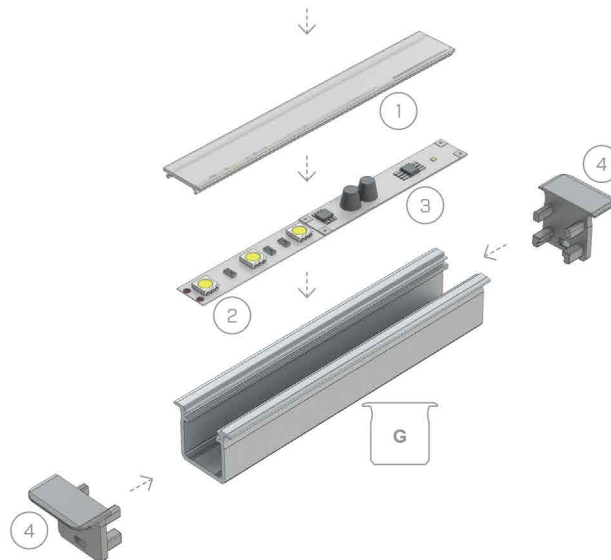
Isometric view before mounting profile G inside a milled hole with BASIC cover and side end caps

fig. 4



The end result of installation of groove mounted profile G with a BASIC cover in plaster board

fig. 5



Assembly schematic for the elements of the lighting system using groove mounted profile G and [1] BASIC cover, [2] LED strip, [3] contactless switch, [4] end caps with holes