

Flush-mounted blinds actuator, 1-gang with satellite input
 Art.-No.: 2501 UP

Operationsmanual

1 Safety instructions

Electrical equipment may only be installed and fitted by qualified electricians.

Failure to observe the instructions may cause damage to the device and result in fire and other hazards.

The device is not suitable for disconnection from supply voltage.

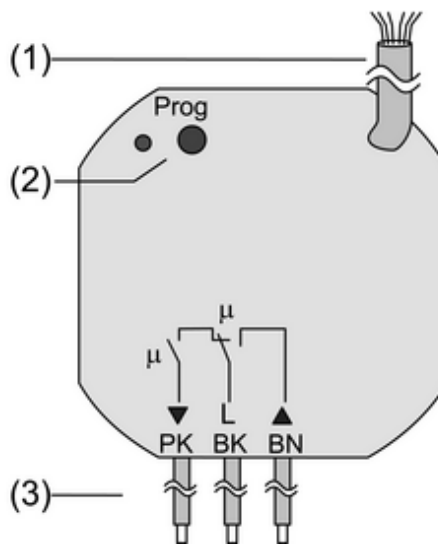
Do not connect any external voltage to the inputs, since doing so may damage the device(s), and the SELV potential on the KNX bus line will no longer be available.

For parallel connection of several drives to an output it is indispensable to observe the corresponding instructions of the manufacturers, and to use a cutoff relay if necessary. There is otherwise risk of irreparable damage to the drives.

Use only Venetian blind drives with mechanical or electronic limit switches. Check the limit switches for correct adjustment. Observe the specifications of the motor manufacturers.

These instructions are an integral part of the product, and must remain with the end customer.

2 Device components



picture 1

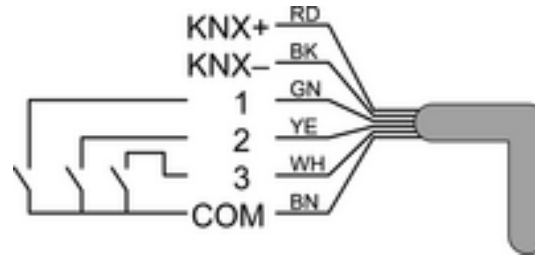
- (1) Control cable
- (2) Programming button and LED
- (3) Connection of mains and power cables

Connection assignment, power cables

BK, black: connection L

BN, brown: connection of Venetian blind, up

PK, pink: connection of Venetian blind, down



picture 2

Connection assignment of control cable

RD, red: KNX+

BK, black: KNX–

GN, green: input 1

YE, yellow: input 2

WH, white: input 3

BN, brown: COM inputs 1...3

3 Function

System information

This device is a product of the KNX system and complies with the KNX directives. Detailed technical knowledge obtained in KNX training courses is a prerequisite to proper understanding.

The function of this device depends upon the software. Detailed information on loadable software and attainable functionality as well as the software itself can be obtained from the manufacturer's product database.

Planning, installation and commissioning of the device are carried out with the aid of KNX-certified software. Full functionality with KNX commissioning software version ETS3.0d onwards.

An updated version of the product database, technical descriptions and conversion programs and other auxiliary programs are available on our Internet website.

Intended purpose

- Switching of electrically-driven Venetian blinds, awnings and similar blinds for AC 110...230 V mains voltage.
- Installation in appliance box to DIN 49073
- Connection with enclosed terminals

Product characteristics

- Control of Venetian blinds, awnings and similar blinds
- Three binary inputs for potential-free contacts, usable as extension inputs for local operation
- Supply via bus, no additional power supply necessary
- Blind position directly controllable
- Slat position directly controllable
- Feedback of movement status, blind position and slat position
- Forced position through higher-level controller
- Safety function: 3 independent wind alarms, rain alarm, frost alarm
- Sun protection function

4 Information for qualified electricians

4.1 Fitting and electrical connection



DANGER!

Electrical shock when live parts are touched.

Electrical shocks can be fatal.

Before working on the device, disconnect the power supply and cover up live parts in the working environment.

Connecting and mounting the device

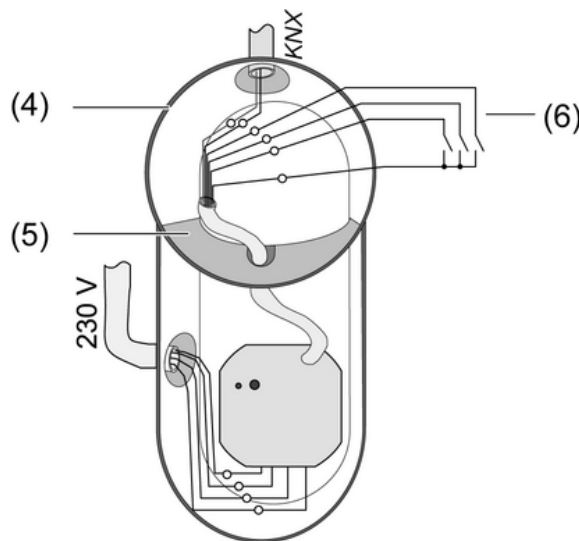


DANGER!

When connecting the bus/extensions and mains' voltage wires in a shared appliance box, the KNX bus cable may come into contact with the mains voltage.

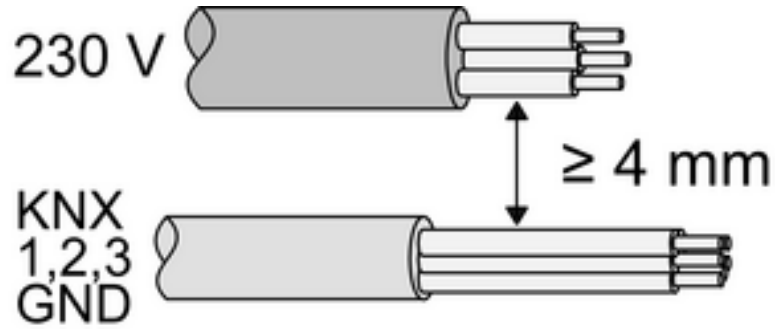
This endangers the safety of the entire KNX installation. People at remote devices may also receive an electric shock.

Do not place bus/extensions and mains voltage terminals in a shared connection compartment. Use an appliance box with a fixed partition wall (picture 3) or separate boxes.



picture 3

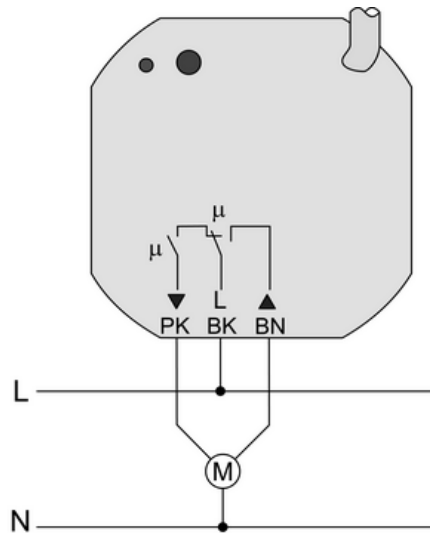
- (4) Appliance box
- (5) Partition
- (6) Potential-free contacts, e.g. for window contact or installation pushbuttons



picture 4

Minimum spacing between the mains voltage and bus/extension wires: 4 mm (picture 4).

- Connect the load (picture 5). Use terminals.
- Connect the device to KNX.
- If necessary, connect potential-free contacts (6) to inputs (picture 2).
- Install the device in the appliance box.

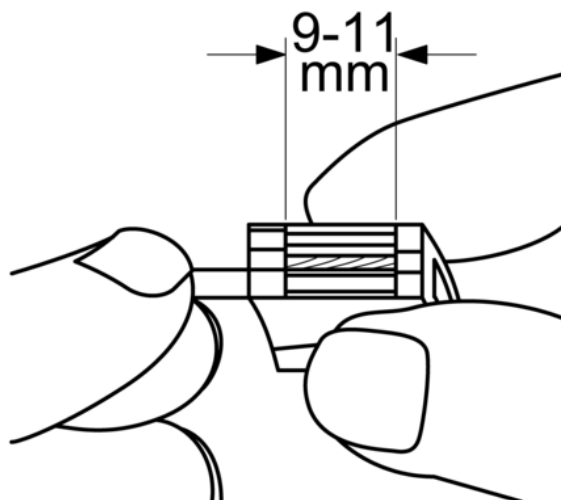


picture 5

i In the as-delivered state, Inputs 1 and 2 operate the Venetian blind output. Input 3 has no function.

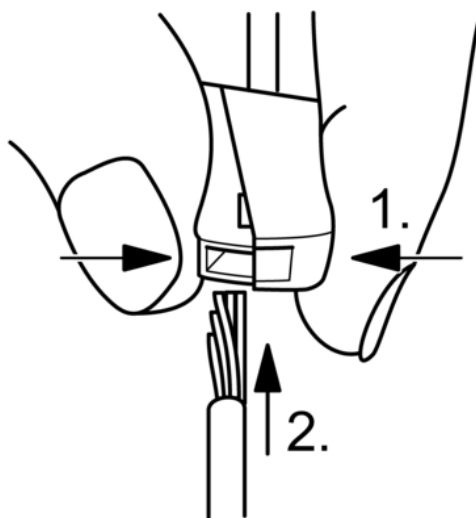
Function of Inputs 1 and 2 in the as-delivered state

Input	NO contact	Blind
1	Press briefly	Adjust slats Up / Stop
1	Press for a long time	Move up
2	Press briefly	Adjust slats Down / Stop
2	Press for a long time	Move down

Use terminals

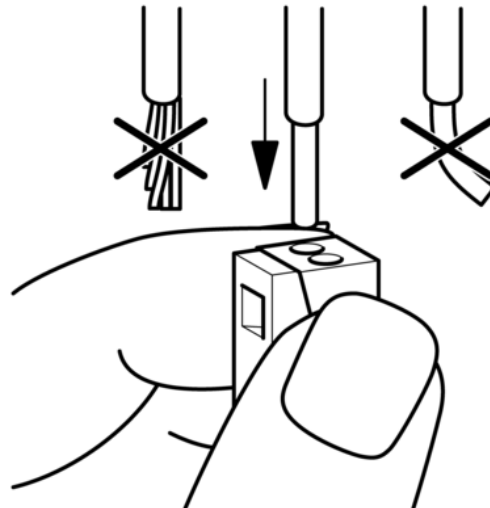
picture 6: Stripping length

- Strip 9 - 11 mm of the cable (picture 6).



picture 7: Connection of the fine-wire cable

- Push the terminal together on the side with the square opening and connect a fine-wire cable (picture 7).



picture 8: Connection of the single-stranded cable

- Push the single-stranded cable into the round opening on the installation side up to the stop (picture 8).

4.2 Commissioning

Load the address and the application software

- Switch on the bus voltage
- Assign physical addresses and load application software into the device.
- Note the physical address on the device label.

5 Appendix

5.1 Technical data

Supply	
Rated voltage	AC 110 ... 240 V ~
Mains frequency	50 / 60 Hz
Switching voltage	AC 250 V~
Ambient conditions	
Ambient temperature	-5 ... +45 °C
Storage/transport temperature	-25 ... +70 °C
Venetian blind output	
Contact type	μ
Switching current AC1	3 A
Minimum switching current AC	100 mA
Motors 230 V	600 VA
Motors 110 V	300 VA
Control cable and inputs	
Control cable (preterminated)	YY6x0.6
Input type	Potential-free
Total length of extension unit cable	max. 5 m
Poll voltage, extension inputs	approx. 5 V
Dimension Ø×H	53×28 mm
Connection type	Terminal (enclosed)
Single-stranded	1.0 ... 2.5 mm ²
KNX	
KNX medium	TP 1
Commissioning mode	S mode
Rated voltage KNX	DC 21 V ... 32 V SELV



Flush-mounted blinds actuator, 1-gang with satellite input



Power consumption KNX
Connection mode KNX

max. 240 mW
Connection terminal on control cable

5.2 Warranty

We reserve the right to make technical and formal changes to the product in the interest of technical progress.

We provide a warranty as provided for by law.

Please send the unit postage-free with a description of the defect to our central customer service office:

ALBRECHT JUNG GMBH & CO. KG

Service Center
Kupferstr. 17-19
D-44532 Lünen
Service-Line: +49 (0) 23 55 . 80 65 51
Telefax: +49 (0) 23 55 . 80 61 89
mail.vka@jung.de

General equipment

Service-Line: +49 (0) 23 55 . 80 65 55
Telefax: +49 (0) 23 55 . 80 62 55
mail.vkm@jung.de

KNX equipment

Service-Line: +49 (0) 23 55 . 80 65 56
Telefax: +49 (0) 23 55 . 80 62 55
mail.vkm@jung.de

The € symbol is a free trade symbol, which is solely intended for the authorities and does not guarantee any properties.

ALBRECHT JUNG GMBH & CO. KG

Volmestraße 1
D-58579 Schalksmühle

Telefon: +49.23 55.8 06-0
Telefax: +49.23 55.8 06-1 89
E-mail: mail.info@jung.de
Internet: www.jung.de
www.jung-katalog.de