

Datasheet

MOTOR CONTROL
230VAC +/- 10%, 50Hz
Flush mounted, max. 100W
Art. 1630.03141/65100



DATEC ELECTRONIC AG
Hochbergerstrasse 60C
4057 Basel
Tel. +41 61 633 22 25, Fax. +41 61 633 22 27
www.datec.ch, support@datec.ch

Because of continuous product improvement, notice is subject to change without notification. Please always check for latest version. Refer to www.datec.ch or contact support@datec.ch

Datasheet

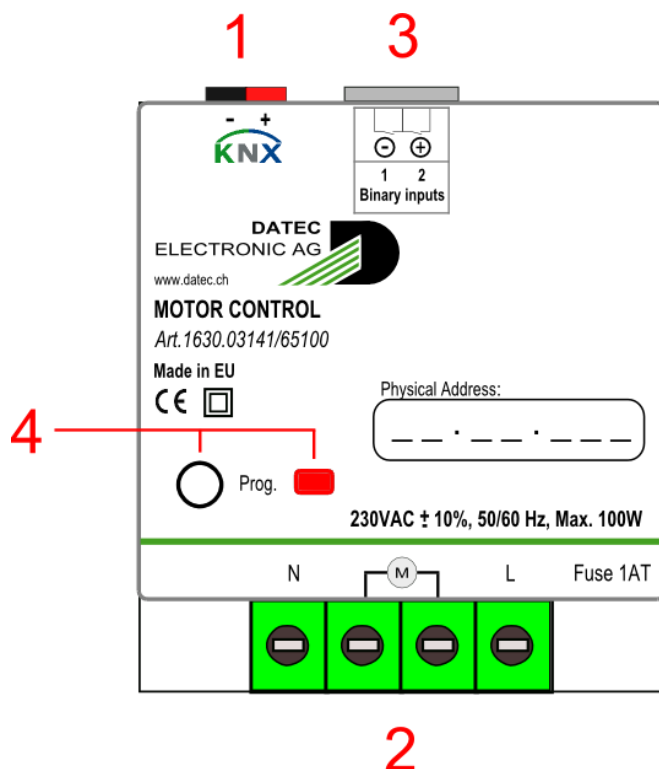
MOTOR CONTROL - Art. 1630.03141/65100

Description

The **MOTOR CONTROL** is a flush mounted KNX device, for ceiling fan applications in offices, hotel rooms and much more. This device is used for varying ceiling fan speed as determined by KNX input or control systems. Also, speed can be varied by push buttons directly connected to the **MOTOR CONTROL** device. The ceiling fan must be of standard motor type, without control electronics. If using multiple speed fans, always force fan in max. speed.

Functional description

- Ceiling fan motor controller by leading edge phase dimming
- 230VAC is protected by 1A T fuse
- Single output for ceiling fan with standard motor
- No need of mains voltage for application download
- Mains failure recognition
- Local binary inputs for varying speed, 3.3VDC with 10kOhm series resistor provided by device. Needs only dry contact
- Flush mounted
- Operating temperature -5°C ... +45°C
- Dimension approx. 50.2 x 46.7 x 29.4mm
- Weight 48g



Terminals

1. KNX bus
2. Mains and Motor

Connectors

3. Local binary inputs

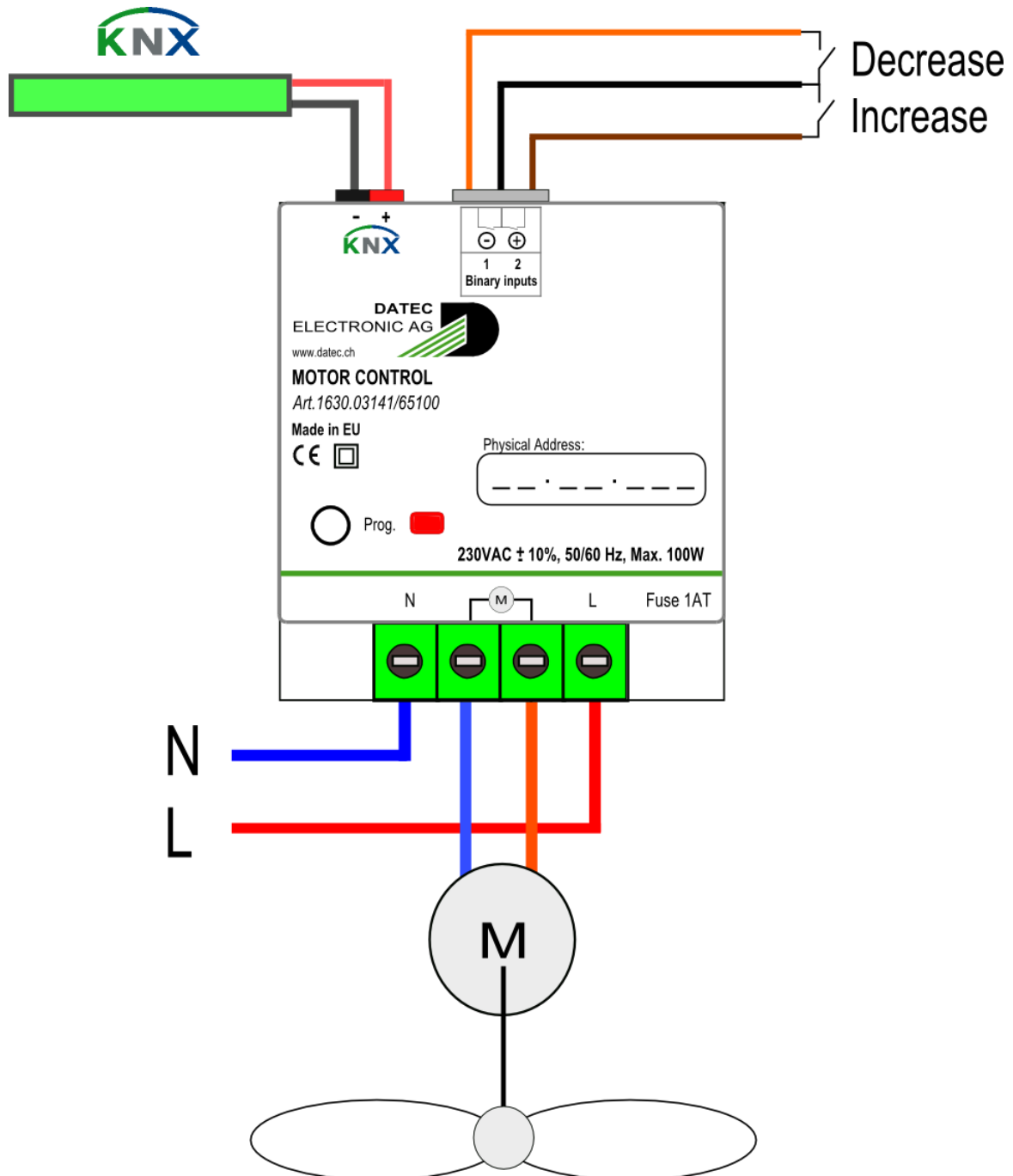
Button and LED

4. KNX programming button and LED

Datasheet

MOTOR CONTROL - Art. 1630.03141/65100

Application example: MOTOR CONTROL for varying ceiling Fan speed



Datasheet

MOTOR CONTROL - Art. 1630.03141/65100

Technical Datas

Housing	50.2 x 46.7 x 29.4mm
Mounting	To be flush mounted
Housing material	ABS V0
Protection degree	IP20
Weight	48g
Operating temperature	-5°C ... +45°C
Terminals mains voltage and motor	Screw terminals, 17.5A 250V
Wire section	1.5mm ² (16AWG)
Screw	M3
Maximum torque	0.5Nm (4.5 in.lbs)
Clamp opening size	2.5 x 2.1mm
Terminals KNX BUS	Push wire 2x4 poles
Wire section	0.6-0.8mm ² (22-20AWG)
Supply	230VAC +/-10%, 50Hz
Fuse	Fuse, 10.1 x 3mm, 1A time-lag T, 250VAC, IEC 60127-4/2
Max. leakage current	< 1mA
KNX	Max. 15mA current consumption from bus
Local binary input	NO dry contact
Voltage supplied from device to binary input	3.3VDC, max. 0.33mA (10kOhm internal)
Cabling	Pluggable 3 wire cable, 100mm length, AWG22
Motor output	230VAC, leading edge phase dimming
Rating	Max. 100W
EMC	EN 61000-4-2 EN 61000-4-3
	EN 61000-4-4 EN 61000-4-5
	EN 61000-4-6 EN 61000-4-11
	EN 55022 Class B