

Datasheet

**ANALOG OUTPUT 0-10V,
4 CHANNELS**
Art. 1630.02131/57100



DATEC ELECTRONIC AG
Hochbergerstrasse 60C
4057 Basel
Tel. +41 61 633 22 25, Fax. +41 61 633 22 27
www.datec.ch, support@datec.ch

Because of continuous product improvement, notice is subject to change without notification. Please always check for latest version. Refer to www.datec.ch or contact support@datec.ch

Datasheet

ANALOG OUTPUT 0-10V, 4 CHANNELS

Art. 1630.02131/57100

Description

The **Analog output 0-10V, 4 channels**, is controlling 4 single 0-10V outputs.

It act as an interface between the KNX bus, the worldwide standard for home and building automation, and devices controlled by 0-10V signals.

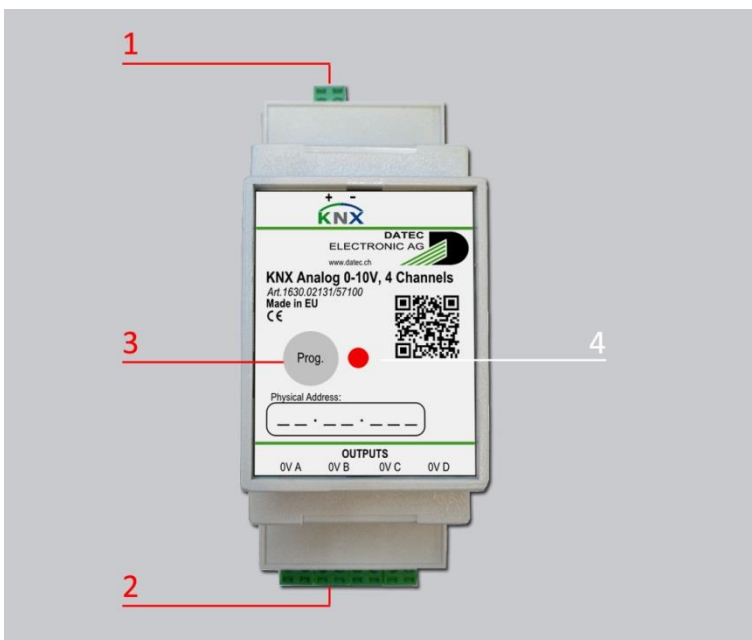
These are used, for example, to control analog 0-10V valves, in accordance with the requirements of room control units, mainly in cooling or heating applications in offices, hotel rooms, ... However also other applications are possible, like controlling fans, ventilation flaps, audio volume, ...

Each Output can source up to 2mA, has a built in current limitation and an overvoltage protection. Moreover, the outputs are isolated from KNX-Bus with 4kV isolation.

The needed energy to power the device is drawn exclusively from the KNX bus, so no supplementary power supply is required.

Functional description

- 4 channels with analog 0-10VDC source output
- To be mounted on 35mm DIN Rail
- Powered by KNX bus
- Outputs isolated from KNX bus
- Operating temperature -5°C ... +45°C
- Housing 36mm (2 units) x 90 x 60mm



Terminals

1. KNX plug in terminals
2. Output plug in terminals

Buttons

3. KNX programming button

LED's:

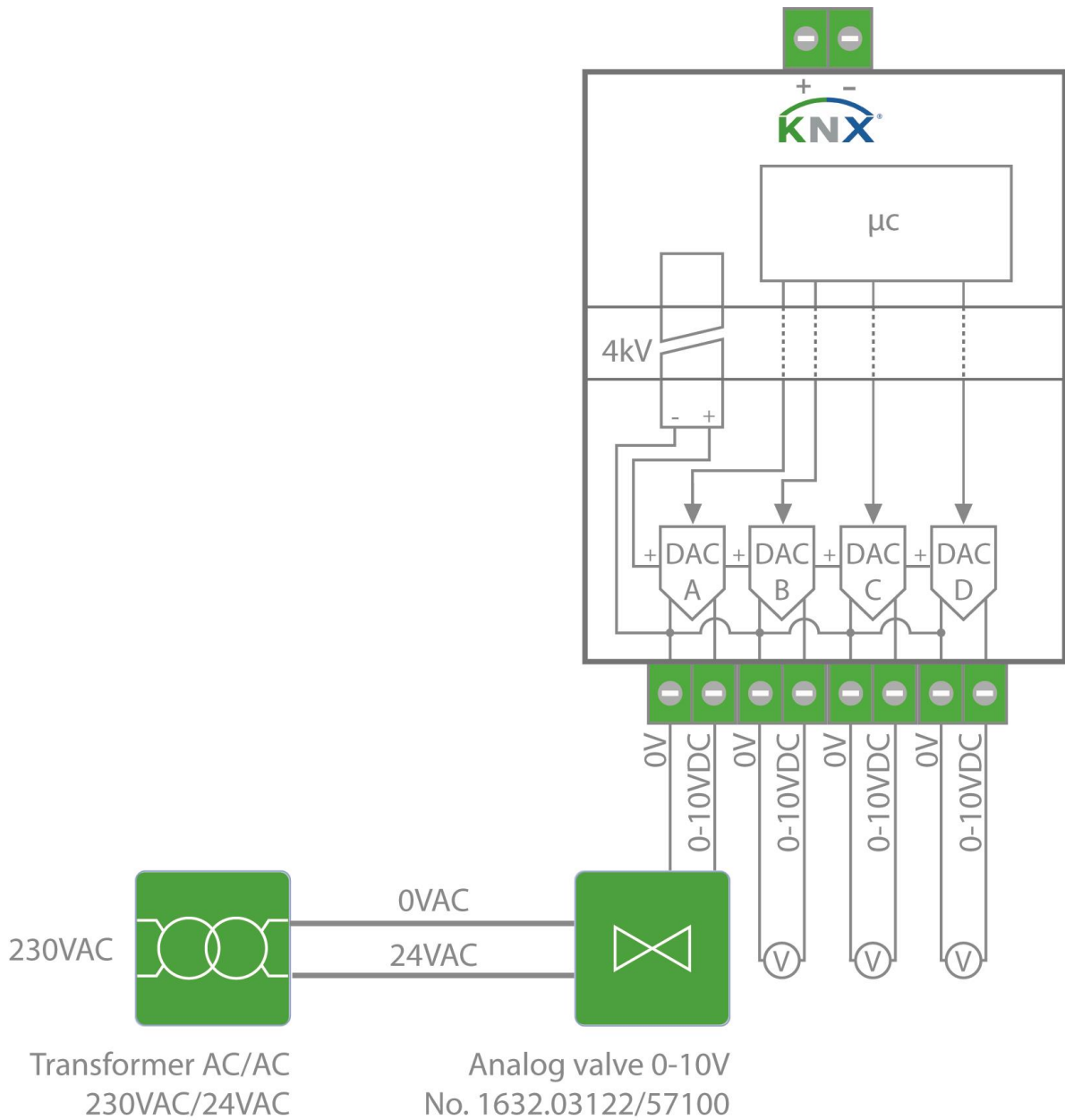
4. KNX programming LED

Datasheet

ANALOG OUTPUT 0-10V, 4 CHANNELS

Art. 1630.02131/57100

Application example:



Datasheet

ANALOG OUTPUT 0-10V, 4 CHANNELS

Art. 1630.02131/57100

Technical Data

Housing	36mm (2 units) x 90 x 60mm
Mounting	To be mounted on 35mm DIN Rail
Material	UL94-V0 flame retardant polycarbonate
Protection degree	IP20
Weight	65g
Operating temperature	-5°C ... +45°C
Terminals	Pluggable screw terminals, 8A 160V
Wire section	1.5mm ² (16AWG)
Cage clamp recess size	1.8x2.6mm
Captive screw	M2
Recommended tightening torque	0.25Nm (2.3in.lbs.)
KNX	25mA current consumption from bus
Output	
0-10VDC modulating output	0-10VDC, max. 2mA/Channel
cabling	Maximum 30m
EMC	EN 50090-2-2 :1996+A1 :2002+A2 :2007 EN 50428:2005+A1:2007+A2:2009(EMC parts)